

- Rugged cast construction
- Available in stainless steel AISI 316, cast iron and aluminium
- Sealed and permanently lubricated outboard bearings
- Easily demountable design
- Change on the fly with most powders
- One-piece body with removable end plates and rotating blade assembly
- Pneumatic or manual operation
- Flanges drilled according to PN 10 or ANSI 150 lbs
- Versions conforming to ATEX 94/9/EC available



GPD gravity plug diverter

The new DMN-WESTINGHOUSE GPD is a two-way, demountable gravity diverter valve and is ideal for system installations that require frequent cleaning with minimum downtime. Design allows fast disassembly in installed location and easy access to all product-contact surfaces. Material flow through the valve is unrestricted with no ledges or dead spots. The valves are manufactured in a range of finish options, including sanitary specification.

The GPD diverts gravity fed material to either of two lines by a rotating blade that swings through 120° to fully close off the unused port. This is done with extremely close, machined tolerances between rotating blade and body.

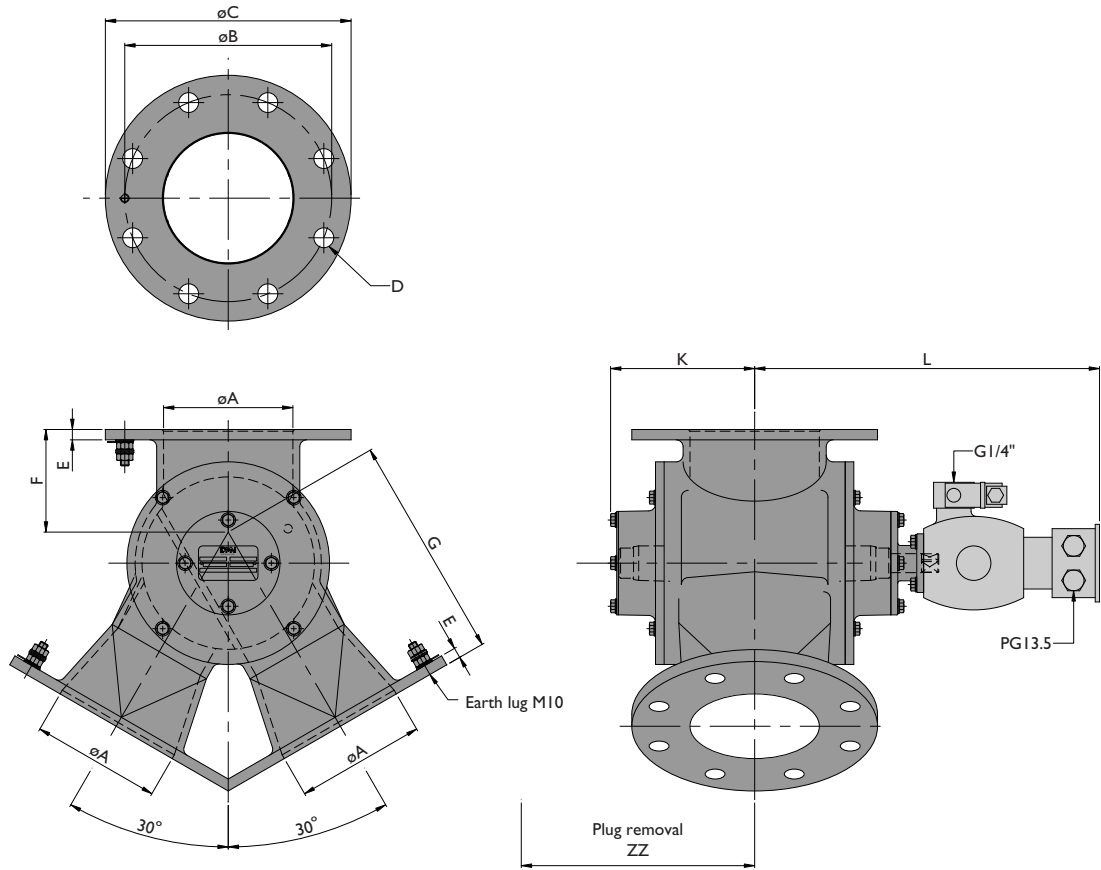
The GPD is available in 4 sizes: 150, 200, 250 and 300.

Product information

The GPD diverter is available with a cast iron, aluminium or stainless steel AISI 316 housing, in which a stainless steel AISI 316 plug is installed. The diverters are manufactured from a rugged cast design, which guarantees stability and a problem free operation.

Comparable fabricated gravity flap diverters normally have a polyurethane flap clamped between two metal plates to provide the seal. The disadvantage of this construction is that seal material can break off and cause leakage, as well as contaminating the product. There is also a risk that nuts and bolts could become undone and also contaminate the product as well as damaging equipment down stream. The GPD however has a rotor manufactured as a one piece fabrication, therefore eliminating these risks.

The GPD can be used for product temperatures ranging from -10 °C up to +80 °C. Options for higher temperatures are available on request.



DMN-WESTINGHOUSE have been designing and manufacturing rotary valves, diverter valves and other related components for the bulk solids handling industry for more than 30 years. Offering tailor made solutions for chemical, food, plastics and pharmaceutical industries, DMN-WESTINGHOUSE products are distributed worldwide.

Besides an extensive range of standard components, we supply USDA accredited sanitary versions and ATEX approved explosion-proof models.

An extensive network of subsidiaries, distributors and representatives ensures a high level of service and support all over the world.

TYPE GPD	DIN				ANSI				E	F	G	K	L	ZZ
	$\varnothing A$	$\varnothing B$	D	$\varnothing C$	$\varnothing B$	D								
150	150	240	8x $\varnothing 23$	285	241,3	8x $\varnothing 22,2$	12	119	260	170	400	485		
200	200	295	8x $\varnothing 23$	343	298,4	8x $\varnothing 22,2$	15	139	310	195	425	560		
250	250	350	12x $\varnothing 23$	406	361,9	12x $\varnothing 25,4$	15	155	375	220	480	645		
300	300	400	12x $\varnothing 23$	483	431,8	12x $\varnothing 25,4$	15	165	450	245	505	720		

© DMN - HOLLAND - 04/05

Head Office:

DMN Machinefabriek Noordwykerhout BV
 PO Box 6, NL - 2210 AA Noordwijkerhout, Holland
 Tel. +31 252 361 800
 Fax +31 252 375 972/934
 dmn@dmn-nwh.nl

DMN Incorporated
 3895 South Perkins Road, Suite 8
 Memphis, TN 38118, USA
 Tel. +1 901 360 1537
 Fax +1 901 360 0348
 dmnfo@dmn-inc.com

DMN Schüttguttechnik GmbH
 Rütgersstrasse 8
 D-21244 Buchholz i.d. Ndh, Germany
 Tel. +49 4181 931 40
 Fax +49 4181 931 490
 dmn@dmn-schuettingtechnik.de

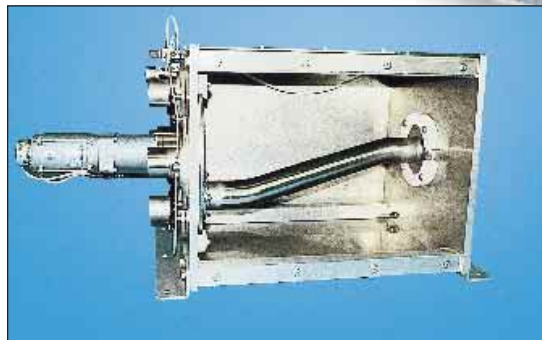
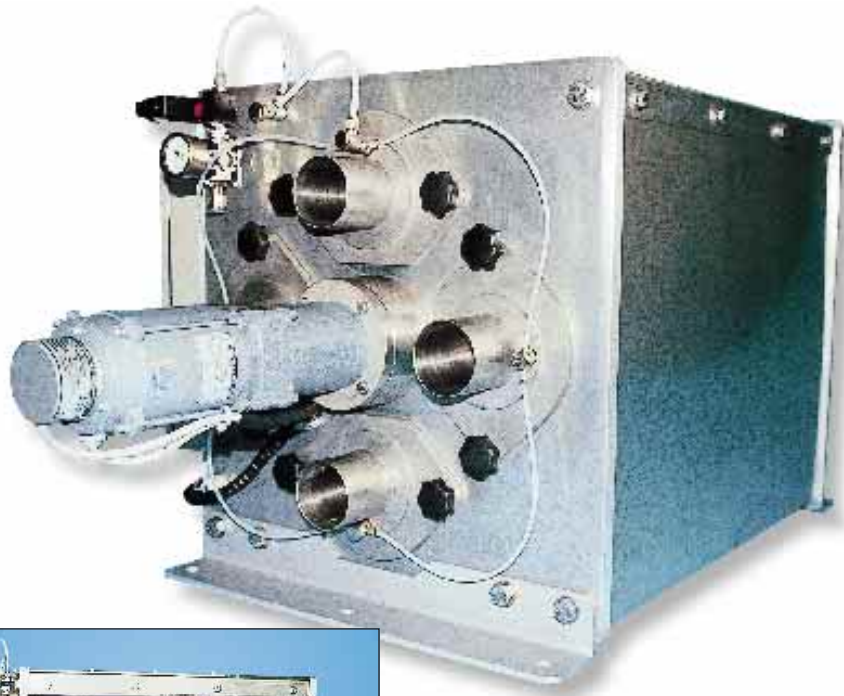
DMN UK Ltd
 Unit 1&2, Harris Road,
 Porte Marsh Industrial Estate
 Calne, Wiltshire, SN 11 9PT, UK
 Tel. +44 1249 818 400
 Fax +44 1249 818 410
 dmn@dmnuk.com

DMN France SAS.
 65, rue Charles de Gaulle
 91330 Yerres, France
 Tel: +33 1 69 49 85 70
 Fax: +33 1 69 49 85 79
 dmnfrance@wanadoo.fr



www.dmn.info

- Up to 18 ports
- Inflatable seals
- All product contact surfaces FDA approved
- Converging and diverging applications
- Pressure up to 1 or 3 bar g
- Temperature range -15 °C to +80 °C
- Compact design



M-TDV Multi-port diverter valve

The DMN-WESTINGHOUSE M-TDV diverts pneumatically conveying products in powder or pellet form to multiple destinations (diverging). Or from multiple sources to one destination (converging).

The M-TDV design is simplicity itself, and guarantees a high positional accuracy with a minimum of component parts. Available in sizes from 40 to 150 mm (1,5" to 6"), with up to 18 ports on the smaller models.

The normal supply would consist of the diverter unit, a pre-programmed compact frequency inverter and a ladder diagram to suit a PLC. A PLC is available as an optional extra, but is not generally supplied by DMN-WESTINGHOUSE.

Product information

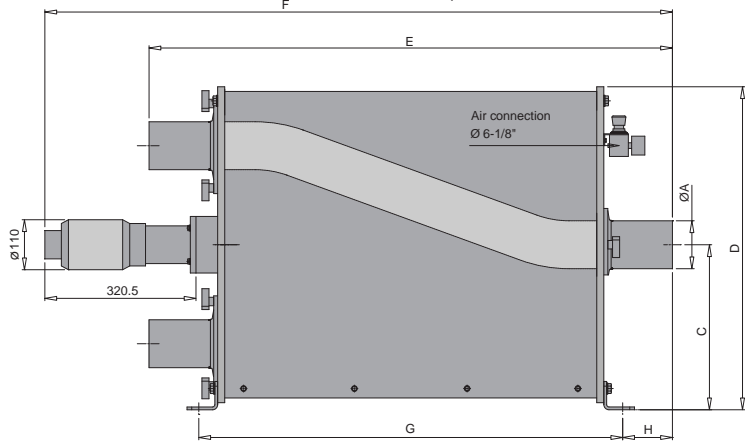
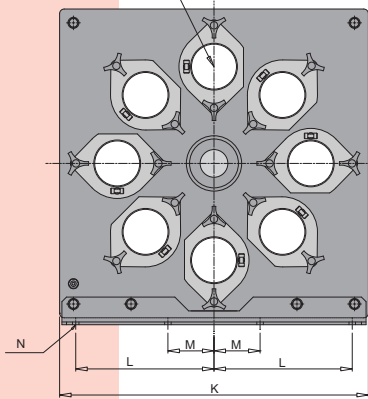
All product contact surfaces are manufactured in AISI 316 stainless steel and FDA approved materials. The inflatable seals are in FDA approved polyurethane. The standard aluminium cover is suitable for most applications. An alternative AISI 316 stainless steel cover is available.

The unit can be mounted either horizontally or vertically and is driven by means of a backlash free geared motor, combined with an encoder which together with the frequency inverter and a PLC guarantees a very accurate alignment of the conveying lines. A uniform smooth bore pipe between the inlet and outlet allows a constant velocity, minimises pressure loss, reduces product degradation and ensures clean purging. Seals are located outside the product flow, inflate on position confirmation and deflate during switching automatically. The indexing tube plate seals off unused ports.

The standard version can be used in systems with pressures up to 1 bar g. An optional version for the use up to 3 bar g is also available.

Technical modifications are possible, dimensions in mm M-TDV.M.01.00.1

X outlets ØA
equispaced on B mm PCD



DMN-WESTINGHOUSE have been designing and manufacturing rotary valves, diverter valves and other related components for the bulk solids handling industry for more than 30 years. Offering tailor made solutions for chemical, food, plastics and pharmaceutical industries, DMN-WESTINGHOUSE products are distributed world-wide. Besides an extensive range of standard components, we supply USDA approved sanitary versions and explosion-proof models. An extensive network of subsidiaries, distributors and representatives ensures a high level of service and support all over the world.

	Size	Ø A	X	B	C	D	E	F	G	H	K	L	M	N
Module I	40	38,1x1,5	3	270	260	505	909	1128	693	108	490	215	-	3 HOLES Ø14
			4											
			5											
	65	63,5x1,5	3											
	80	76,1x1,5	4											
100	101,6x2													
Module II	40	38,1x1,5	7	420	350	685	1115	1334	899	108	670	300	100	4 HOLES Ø14
			8											
			9											
			10											
	50	50,8x1,5	11											
			12											
	65	63,5x1,5	5											
			6											
			7											
8														
100			101,6x2											
Module III	40	38,1x1,5	13	600	475	935	1385	1604	1169	108	920	400	150	4 HOLES Ø14
			14											
			15											
			16											
	50	50,8x1,5	17											
			18											
	65	63,5x1,5	9											
			10											
			11											
	80	76,1x1,5	12											
	100	101,6x2												
	125	129x2	3											
4														
5														
150	154x2	6												

Head Office:
DMN Machinefabriek Noordwykerhout B.V.
 P.O. Box 6, 2210 AA Noordwijkerhout, Holland
 Tel. +31 252 361 800 Fax +31 252 375 972/934
 E-mail: dmn@dmn-nwh.nl

Internet: www.dmn.info



© DMN - HOLLAND - 2002

Subsidiaries:
DMN U.K. Ltd.
 Unit 1&2, Harris Road,
 Porte Marsh Industrial Estate
 Calne, Wiltshire, SN 11 9PT, U.K.
 Tel. +44 1249 818 400
 Fax +44 1249 818 410
 E-mail: dmn@dmnuk.com

DMN Schüttguttechnik GmbH
 Rütgerstrasse 8
 D-21244 Buchholz i.d. Ndh, Germany
 Tel. +49 4181 931 40
 Fax +49 4181 931 490
 E-mail: dmn@dmn-schuettingtechnik.de

DMN Italia S.r.l.
 Via Teresa Noce, 2
 20060 Pessano Con Bornago (MI), Italy
 Tel. +39 02 950 4747
 Fax +39 02 950 4775
 E-mail: dmn@dmnitaly.com

DMN Incorporated
 3895 South Perkins Road, Suite 8
 Memphis, TN 38118, U.S.A.
 Tel. +1 901 360 1537
 Fax +1 901 360 0348
 E-mail: dmnfo@dmn-inc.com

- For abrasive products
- Suitable for systems with high pressures and temperatures
- Body made from ductile spheroidal cast iron
- Replaceable wear bushes on outlet
- Grease lubricated shaft seals
- Seals can be replaced with the valve in place

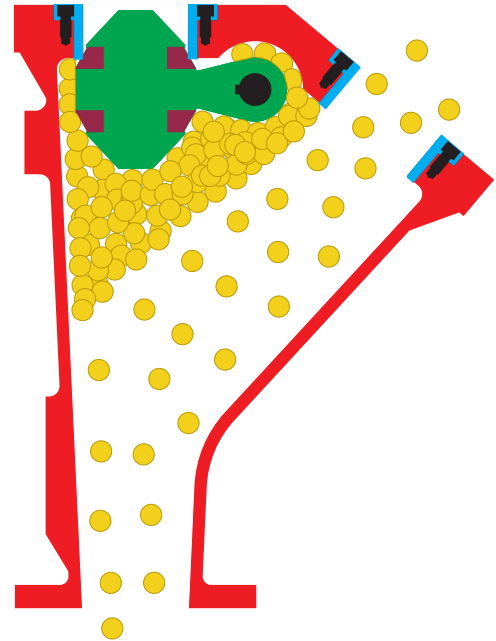


BTD Ball type diverter

The DMN-WESTINGHOUSE ball type diverter (BTD) has been specifically designed to converge or diverge abrasive products in pneumatic conveying systems. The diverter is also suitable for systems having relatively high pressures and temperatures, e.g. thermoelectric power stations (coal and fuel oil ash), incinerators, foundries and cement, glass, ceramic, limestone, gypsum and chemical factories.

The diverter can be used for both diverting and converging. When diverting the product itself provides the wear surface (most common application). When converging the impact area of the product on the diverter has been considerably strengthened (see dimensional drawing).

The BTD is made from ductile spheroidal cast iron and is available in 7 sizes in the ranges 65 - 250.

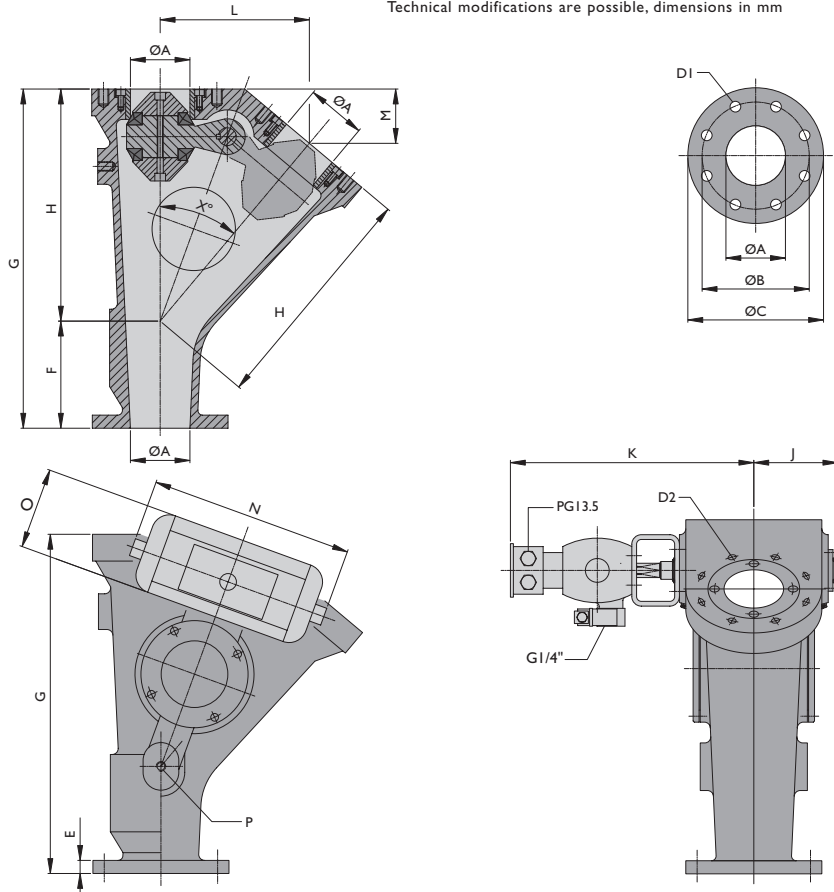


Product information

The design of the diverter ensures that the higher the positive pressure, the tighter the seal. This is the result of the ball and seal being pushed firmly into its seating. The seals can be replaced with the valve in place by removing the two side covers.

The valve is operated by using a double acting pneumatic actuator with a 5/2 double acting solenoid and position confirmation switch.

The BTD diverter can be used in systems with positive pressures up to 6 bar g and negative pressures up to -0.5 bar g. The standard configuration can be used for temperatures from -10 up to +150 °C.



Flange connection: PN 10 or ANSI 150 lbs

* 8 holes for PN 10
4 holes for ANSI 150 lbs

TYPE BTD	PN 10				ANSI 150 LBS			E	F
	ØA	ØB	ØD1	ØC	ØB	ØD1	ØD2		
65	65	145	4x Ø18	185	139.7	4x Ø19	4x M16x25	18	95
80	80	160	8x Ø18	200	152.4	4x Ø19	*x M16x25	20	140
100	100	180	8x Ø18	228.6	190.5	8x Ø19	8x M16x25	22	180
125	125	210	8x Ø18	255	215.9	8x Ø22.2	8x M16x35	24	225
150	150	240	8x Ø22	285	241.3	8x Ø22.2	8x M20x35	24	240
200	200	295	8x Ø22	340	298.4	8x Ø22.2	8x M20x35	25	160
250	250	350	12x Ø22	407	361.9	12x Ø25.4	12x M20x35	30	170

TYPE BTD	G	H	J	K	L	M	N	O	P	X°	WEIGHT
65	550	455	130	395	228	61	310	105	M16x20	30°	68 kg
80	500	360	135	400	232	84	310	105	M16x20	40°	77 kg
100	570	390	145	425	250	91	380	120	M16x25	40°	100 kg
125	700	475	165	470	305	111	450	140	M20x25	40°	155 kg
150	780	540	175	480	347	126	450	140	M20x20	40°	208 kg
200	810	650	200	515	418	152	520	150	M20x25	40°	300 kg
250	850	680	260	630	437	159	640	170	M20x30	40°	450 kg

Head Office:
DMN Machinefabriek Noordwykerhout B.V.

P.O. Box 6, 2210 AA Noordwijkerhout, Holland
Tel. +31 252 361 800 Fax +31 252 375 972
E-mail: dmn@dmn-nwh.nl

Internet: www.dmn.info



DMN-WESTINGHOUSE have been designing and manufacturing rotary valves, diverter valves and other related components for the bulk solids handling industry for more than 30 years. Offering tailor made solutions for chemical, food, plastics and pharmaceutical industries, DMN-WESTINGHOUSE products are distributed world-wide. Besides an extensive range of standard components, we supply USDA approved sanitary versions and explosion-proof models. An extensive network of subsidiaries, distributors and representatives ensures a high level of service and support all over the world.

© DMN - HOLLAND - 2002

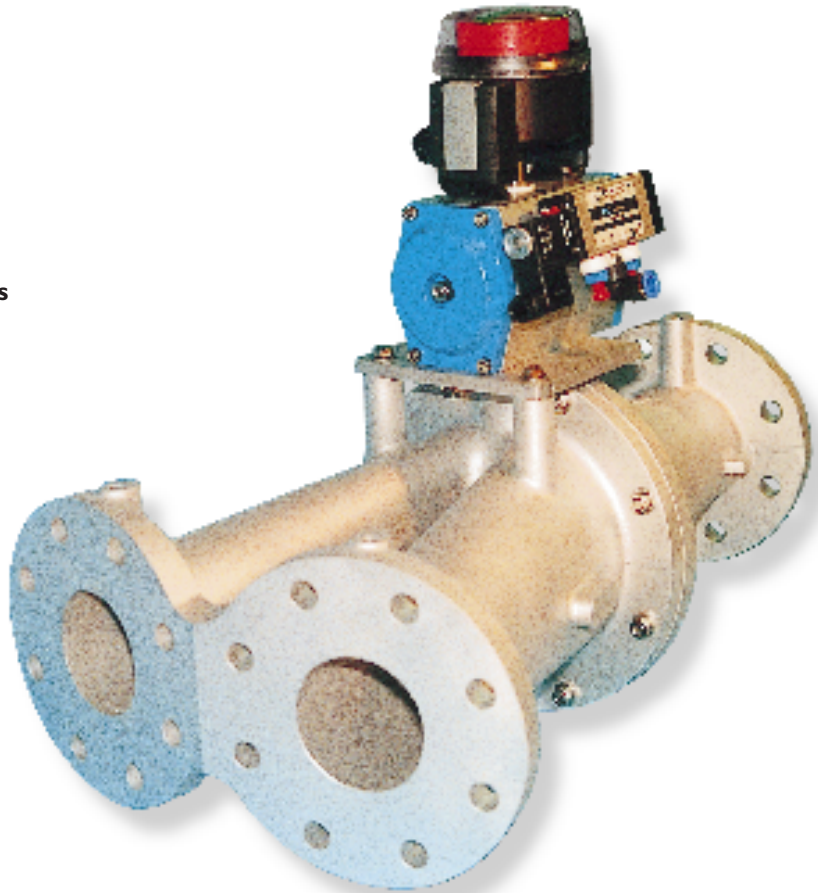
Subsidiaries:
DMN U.K. Ltd.
Unit 1&2, Harris Road,
Porte Marsh Industrial Estate
Calne, Wiltshire, SN 11 9PT, U.K.
Tel. +44 1249 818 400
Fax +44 1249 818 410
E-mail: dmn@dmnuk.com

DMN Schüttguttechnik GmbH
Rütgerstrasse 8
D-21244 Buchholz i.d. Ndh, Germany
Tel. +49 4181 931 40
Fax +49 4181 931 490
E-mail: dmn@dmn-schuettingtechnik.de

DMN Italia S.r.l.
Via Teresa Noce, 2
20060 Pessano Con Bornago (MI), Italy
Tel. +39 02 950 4747
Fax +39 02 950 4775
E-mail: dmn@dmnitaly.com

DMN Incorporated
3895 South Perkins Road, Suite 8
Memphis, TN 38118, U.S.A.
Tel. +1 901 360 1537
Fax +1 901 360 0348
E-mail: dmnfo@dmn-inc.com

- Compact form
- Optimal sealing
- Simple construction
- Minimal pressure loss
- Available with flange or pipe fittings
- Flanges drilled in accordance with DIN ND10, ANSI* 150 lbs and JIS**
- Cast iron, aluminium or 316 stainless steel



FDV Flap Type Diverter

The DMN-WESTINGHOUSE flap type diverters have been designed to divert powders and pellets in pneumatic conveying systems.

The FDV is available in two versions: the FDV-F type with flange fittings and the FDV-P type with pipe fittings. Both versions are available in aluminium, cast iron and stainless steel, in the ranges 50 - 250 for the FDV-F and in the ranges 50 - 150 for the FDV-P. Larger models are available on request.

For the FDV there are 4 operating modes: a pneumatic cylinder assembly, a pneumatic actuator assembly, an electrical actuator and hand operation.

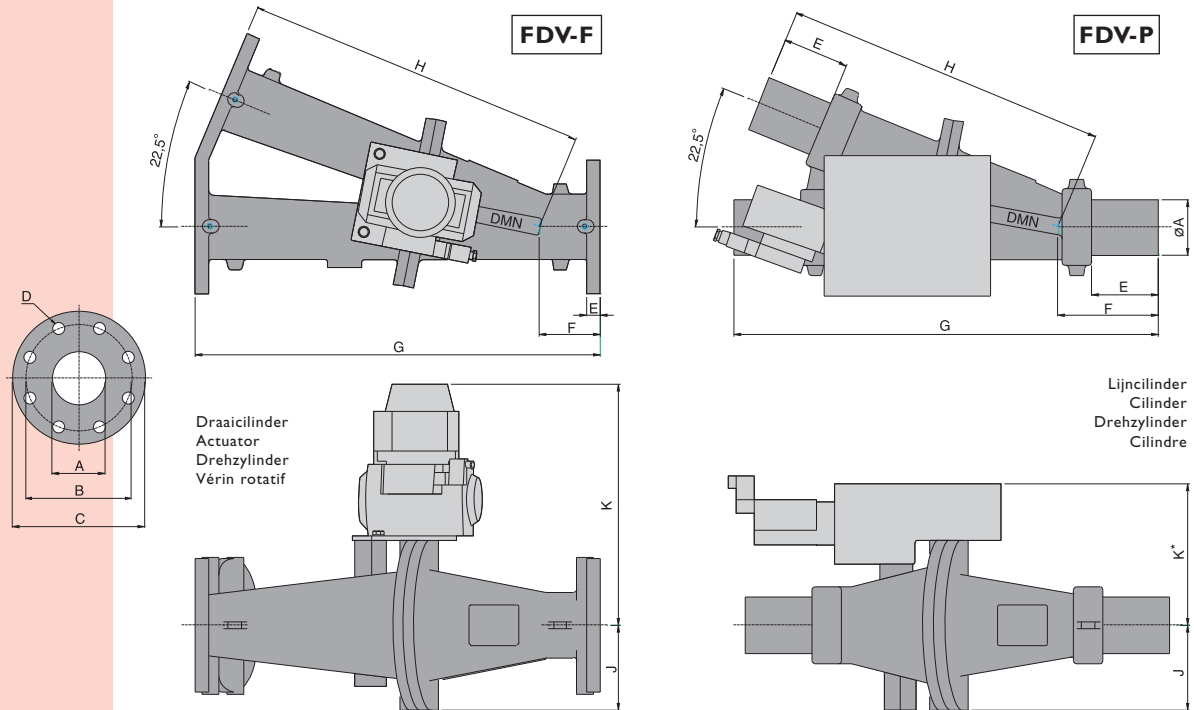
Product information

The parabolic style blade of the diverter can be fitted with a wear resistant or food quality polyurethane seal, providing a virtually leak proof unit.

The FDV diverter can be used in systems with positive pressures up to 2 bar g and negative pressures up to 300 mbar g. The standard polyurethane flap can be used for temperatures up to 80 °C. Options for higher temperatures are available on request.

* American National Standards Institute

** Japanese Industrial Standard



DMN-WESTINGHOUSE have been designing and manufacturing rotary valves, diverter valves and other related components for the bulk solids handling industry for more than 30 years. Offering tailor made solutions for chemical, food, plastics and pharmaceutical industries, DMN-WESTINGHOUSE products are distributed world-wide. Besides an extensive range of standard components, we supply USDA approved sanitary versions and explosion-proof models. An extensive network of subsidiaries, distributors and representatives ensures a high level of service and support all over the world.

© DMN - HOLLAND - 2001

Type ¹⁾	FDV-F								FDV-P						J	K	K*
	A	B	C	D	E	F	G	H	A (AISI)	A (ST37)	E	F	G	H			
50	50	125	165	4x18	12	90	520	430	54x2	"54x2,6"	100	150	540	390	103	321	183
65	65	145	185	4x18	12	90	570	480	70x2	"70x2,9"	100	150	540	390	110	328	190
80	80	160	200	8x18	12	90	610	520	84x2	"88,9x4"	100	150	637	487	128	363	215
100	100	180	220	8x18	12	90	660	570	104x2	"108x3,6"	100	150	670	520	143	376	230
125	125	210	250	8x18	12	95	740	645	129x2	133x4	100	153	715	562	165	410	252
150	150	240	285	8x22	12	105	840	735	154x2	"159x4,5"	100	163	735	572	185	430	272
200	200	295	343	8x23	24	45	925	880							215	484	315
250	250	350	406	8x23	24	54	1070	1016							250	519	350

¹⁾ Larger models are available on request

Head Office:
DMN Machinefabriek Noordwykerhout B.V.
 P.O. Box 6, 2210 AA Noordwijkerhout, Holland
 Tel. +31 252 361 800 Fax +31 252 375 972/934
 E-mail: dmn@dmn-nwh.nl

Internet: www.dmn.info



Subsidiaries:
DMN U.K. Ltd.
 Unit 1&2, Harris Road,
 Porte Marsh Industrial Estate
 Calne, Wiltshire, SN 11 9PT, U.K.
 Tel. +44 1249 818 400
 Fax +44 1249 818 410
 E-mail: dmn@dmnuk.com

DMN Schüttguttechnik GmbH
 Rütgerstrasse 8
 D-21244 Buchholz i.d. Ndh, Germany
 Tel. +49 4181 931 40
 Fax +49 4181 931 490
 E-mail: dmn@dmn-schuettingtechnik.de

DMN Italia S.r.l.
 Via Teresa Noce, 2
 20060 Pessano Con Bornago (MI), Italy
 Tel. +39 02 950 4747
 Fax +39 02 950 4775
 E-mail: dmn@dmnitaly.com

DMN Incorporated
 3895 South Perkins Road, Suite 8
 Memphis, TN 38118, U.S.A.
 Tel. +1 901 360 1537
 Fax +1 901 360 0348
 E-mail: dmnfo@dmn-inc.com

DMN-WESTINGHOUSE

- Saving system costs
- Compact design
- Easy maintenance
- Optimal sealing
- Flange or pipe fittings
- Flanges drilled in accordance with PN 10 and ANSI 150 lbs
- Cast iron, aluminium or stainless steel



FVV Fill Vent Valves

The DMN-WESTINGHOUSE FVV fill vent valves or weigh valves can be used in bulk handling systems where product is pneumatically conveyed to a silo or hopper that is process weighed. The FVV is ideally suitable for food and chemical industries.

The valve can be used to discharge the product into a silo, while the air is exhausted. When the required weight in a silo has been reached, the valve changes position by means of two actuators. The product is then sent to alternative weigh stations or conveyed back to the main storage silo. Only one filter unit is required for the complete system, thus saving considerable system costs.

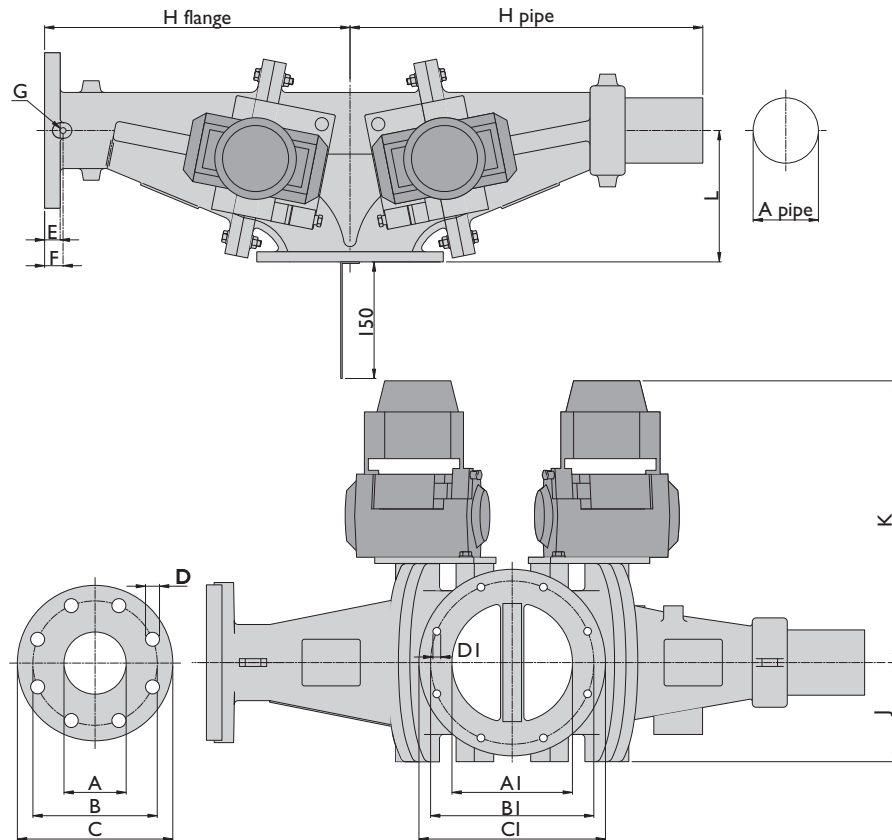
The FVV is available in two versions: the FVV-F type with flange fittings and the FVV-P type with pipe fittings. Both versions are available in aluminium, cast iron and stainless steel, in the ranges 50 - 150. Larger versions are available on request.

The two internal parabolic flaps are operated by pneumatic actuators.

Product information

The robust body is manufactured in three sections split at the flanges, giving direct access to the internal sealing flap. The parabolic style stainless steel flap assembly is fitted with a wear resistant polyurethane seal, providing a virtually leak proof non-contaminating unit. A food quality polyurethane seal is optionally available.

The FVV valve can be used in systems with positive pressures up to 1 bar g and negative pressures up to 300 mbar g. The standard polyurethane flap can be used for temperatures up to 80 °C. Options for higher temperatures are available on request.



DMN-WESTINGHOUSE have been designing and manufacturing rotary valves, diverter valves and other related components for the bulk solids handling industry for more than 30 years. Offering tailor made solutions for chemical, food, plastics and pharmaceutical industries, DMN-WESTINGHOUSE products are distributed world-wide. Besides an extensive range of standard components, we supply USDA approved sanitary versions and explosion-proof models. An extensive network of subsidiaries, distributors and representatives ensures a high level of service and support all over the world.

© DMN - HOLLAND - 2002

Type FVV	FVV P*			DIN		ANSI					
	ØA	ØA(AISI)	ØA(St.37)	ØB	D	ØC	ØB	D	ØA1	ØB1	ØC1
50	50	Ø54x2	Ø54x2,6	125	4xØ18	165	120,6	4xØ19	105	160	190
65	65	Ø70x2	Ø70x2,9	145	4xØ18	185	139,7	4xØ19	120	180	200
80	80	Ø84x2	Ø88,9x4	160	8xØ18	200	152,4	4xØ19	155	210	240
100	100	Ø104x2	Ø108x3,6	180	8xØ18	220	190,5	8xØ19	185	240	260
125	125	Ø129x2	Ø133x4	210	8xØ18	250	215,9	8xØ22,2	215	270	290
150	150	Ø154x2	Ø159x4,5	240	8xØ22	285	241,3	8xØ22,2	245	325	355

Type FVV	DI	E	F	G	H flange	H pipe	J	K	L
50	8xØ10	18	19	M8x12	315	375	103	321	157
65	8xØ10	18	19	M8x12	341	401	110	328	165
80	8xØ10	20	24	M8x12	393	454	128	363	169
100	8xØ10	20	24	M8x12	432	488	143	376	216
125	8xØ10	22	24	M8x12	486	544	165	410	284
150	8xØ12	22	24	M8x12	528	586	185	430	285

* Other pipe diameters on request

Head Office:
DMN Machinefabriek Noordwykerhout B.V.
 P.O. Box 6, 2210 AA Noordwijkerhout, Holland
 Tel. +31 252 361 800 Fax +31 252 375 972
 E-mail: dmn@dmn-nwh.nl

Internet: www.dmn.info



Subsidiaries:
DMN U.K. Ltd.
 Unit 1&2, Harris Road,
 Porte Marsh Industrial Estate
 Calne, Wiltshire, SN 11 9PT, U.K.
 Tel. +44 1249 818 400
 Fax +44 1249 818 410
 E-mail: dmn@dmnuk.com

DMN Schüttguttechnik GmbH
 Rütgerstrasse 8
 D-21244 Buchholz i.d. Ndh, Germany
 Tel. +49 4181 931 40
 Fax +49 4181 931 490
 E-mail: dmn@dmn-schuettingtechnik.de

DMN Italia S.r.l.
 Via Teresa Noce, 2
 20060 Pessano Con Bornago (MI), Italy
 Tel. +39 02 950 4747
 Fax +39 02 950 4775
 E-mail: dmn@dmnitaly.com

DMN Incorporated
 3895 South Perkins Road, Suite 8
 Memphis, TN 38118, U.S.A.
 Tel. +1 901 360 1537
 Fax +1 901 360 0348
 E-mail: dmnfo@dmn-inc.com

DMN-WESTINGHOUSE

- For medium and heavy duty applications
- Symmetrical and asymmetrical version
- Square or round flanges
- Round flanges drilled in accordance with PN 10 or ANSI 150 lbs



GFV

The DMN-WESTINGHOUSE GFV gravity flap diverter valve has been designed for general purpose use on medium and heavy duty applications. Typical duties are free falling product diversion, diversion of differently specified materials, rejection of out of specification or contaminated product, diversion during maintenance or diversion to alternate fill positions for greater filling efficiency.

The GFV is available in two versions: symmetrical and asymmetrical. The legs of the symmetrical version are at a standard off-set of 30 degrees to the vertical. The asymmetrical version has a straight through leg and an off-set leg at 45 degrees.

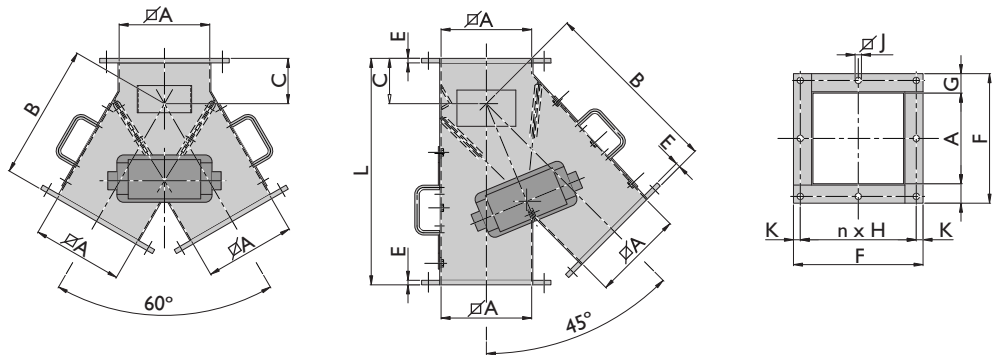
Both GFV symmetrical and asymmetrical versions have square flanges. Round flanges are optionally available.

The GFV diverter is available in 4 sizes from 150 to 300 mm and is operated by means of a double acting pneumatic actuator.

Product information

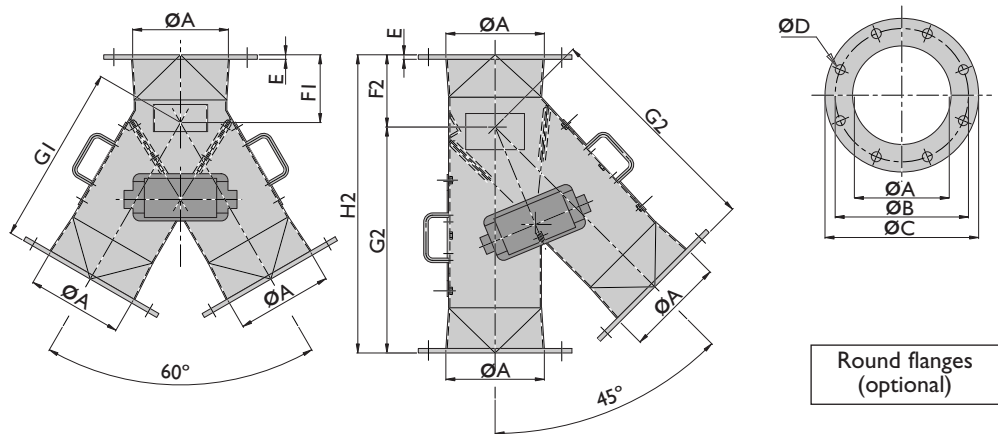
The GFV diverter is available in mild steel or stainless steel and fitted with a white neoprene seal.

The standard polyurethane flap can be used for product temperatures from -10 °C up to 50 °C. Options for higher temperatures are available on request.



SIZE	A	B	C	E	F	G	nxH	J	K	L
150x150	150	225	75	8	225	37.5	2x98	12	14.5	375
200x200	200	300	100	10	286	42.5	2x128	14	15	500
250x250	250	375	125	10	336	43	3x102	14	15	625
300x300	300	450	150	12	406	53	3x120	14	23	750

Square flanges



Round flanges (optional)

SIZE	PN 10				ANSI 150 LBS				E	F1	F2	G1	G2	H2
	ØA	ØB	ØC	ØD	ØA	ØB	ØC	ØD						
150	150	240	285	8x22	163	241.3	279.4	8x22.2	8	120	130	305	380	510
200	200	295	340	8x22	213	298.4	342.9	8x22.2	10	150	160	400	500	660
250	250	350	395	12x22	267	361.9	406.4	12x25.4	10	160	180	475	570	750
300	300	400	445	12x22	317	431.8	482.6	12x25.4	12	170	200	550	650	850

DMN-WESTINGHOUSE have been designing and manufacturing rotary valves, diverter valves and other related components for the bulk solids handling industry for more than 30 years. Offering tailor made solutions for chemical, food, plastics and pharmaceutical industries, DMN-WESTINGHOUSE products are distributed world-wide.

Besides an extensive range of standard components, we supply USDA approved sanitary versions and explosion-proof models.

An extensive network of subsidiaries, distributors and representatives ensures a high level of service and support all over the world.

Head Office:
DMN Machinefabriek Noordwykerhout B.V.
 P.O. Box 6, 2210 AA Noordwijkerhout, Holland
 Tel. +31 252 361 800 Fax +31 252 375 972/934
 E-mail: dmn@dmn-nwh.nl

Internet: www.dmn.info



© DMN - HOLLAND - 2002

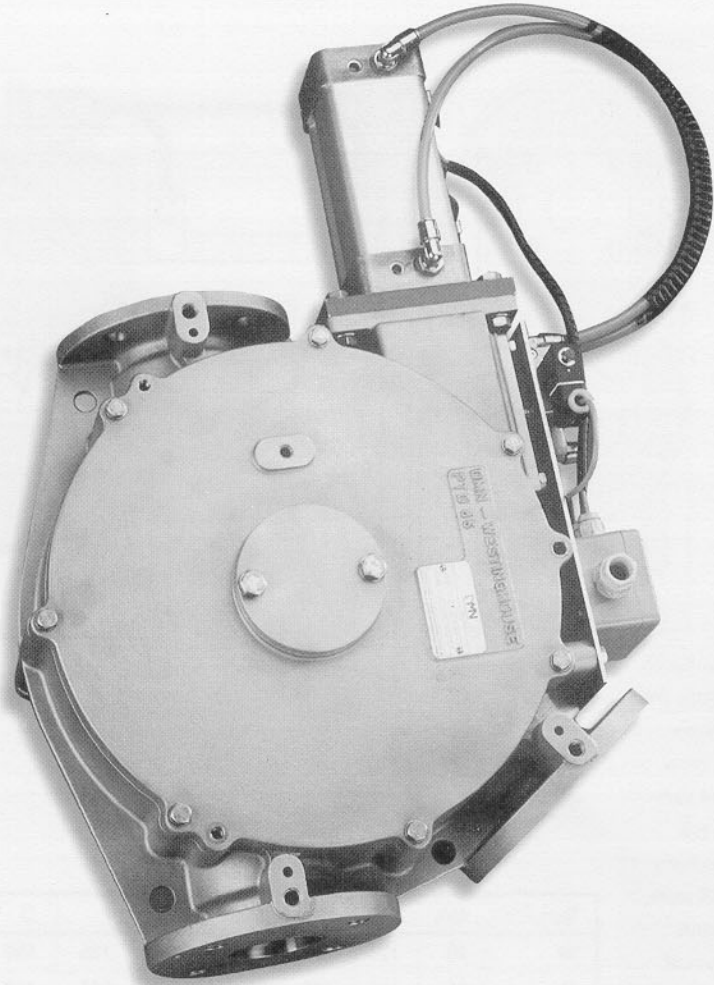
Subsidiaries:
DMN U.K. Ltd.
 Unit 1&2, Harris Road,
 Porte Marsh Industrial Estate
 Calne, Wiltshire, SN 11 9PT, U.K.
 Tel. +44 1249 818 400
 Fax +44 1249 818 410
 E-mail: dmn@dmnuk.com

DMN Schüttguttechnik GmbH
 Rütgerstrasse 8
 D-21244 Buchholz i.d. Ndh, Germany
 Tel. +49 4181 931 40
 Fax +49 4181 931 490
 E-mail: dmn@dmn-schuetguttechnik.de

DMN Italia S.r.l.
 Via Teresa Noce, 2
 20060 Pessano Con Bornago (MI), Italy
 Tel. +39 02 950 4747
 Fax +39 02 950 4775
 E-mail: dmn@dmnitaly.com

DMN Incorporated
 3895 South Perkins Road, Suite 8
 Memphis, TN 38118, U.S.A.
 Tel. +1 901 360 1537
 Fax +1 901 360 0348
 E-mail: dmnfo@dmn-inc.com

- Minimal maintenance
- Compact form
- No moving parts on the outside
- Pressure up to 3 bar g*



PTD Plug Type Diverter

The DMN-WESTINGHOUSE PTD plug type diverters have been specially designed to route powders and pellets in pneumatic conveying systems. The PTD plug type diverter is applied in the chemical, pharmaceutical, plastic, food and other related industries. A smooth passage of products is guaranteed by a good sealing and a complete free passage.

Product information

The PTD plug type diverter consists of an aluminium housing and end covers in which a plug with two pipes is installed. All product contact surfaces are made from stainless steel AISI 316 / DIN 1.4404. A polyurethane seal (FDA approved) guarantees the sealing between housing and plug. The standard plug can be used in systems with positive pressures up to 3 bar g*.

The design enables fast internal examination, cleaning or replacement of seals.

The PTD will be supplied with a complete electro pneumatic control system. By integrating the drive into the housing we designed a unit with no moving parts on the outside.

By means of installing reed contacts on the cylinder drive or, if required, inductive sensors, the position of the plug can be checked.

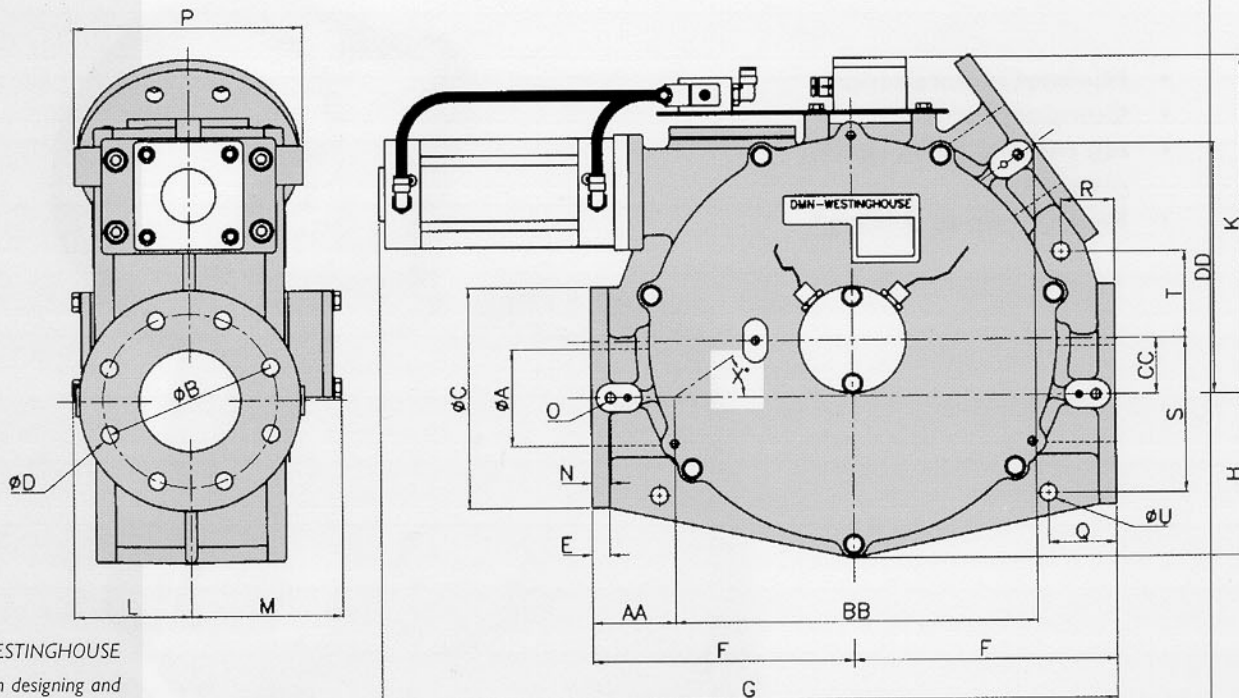
The plug type diverter can be used at product temperatures of $-25\text{ }^{\circ}\text{C}$ up to $+80\text{ }^{\circ}\text{C}$ while having an environmental temperature of $-10\text{ }^{\circ}\text{C}$ up to $+40\text{ }^{\circ}\text{C}$, and is available in 6 different pipe sizes: \varnothing 50, 65, 80, 100, 125 and 150 mm.

* Higher pressures on request

PTD

DMN-WESTINGHOUSE

PTD.M.01.03.B



DMN-WESTINGHOUSE have been designing and manufacturing rotary valves, diverter valves and other related components for the bulk solids handling industry for more than 30 years. Offering tailor made solutions for chemical, food, plastics and pharmaceutical industries, DMN-WESTINGHOUSE products are distributed world-wide.

Besides an extensive range of standard components, we supply USDA approved sanitary versions and explosion-proof models. An extensive network of subsidiaries, distributors and representatives ensures a high level of service and support all over the world.

Type PTD	ØA	ØB	ØC	ØD	E	F	G	H	K	L	M	N
50	50	125	165	4XØ18	15	185	580	113	250	100	135	16
65	65	145	185	4XØ18	15	235	710	151	321	115	150	18
80	80	160	200	8XØ18	16	240	715	152	321	110	145	16
100	100	180	229	8XØ18	18	270	760	169	350	120	155	20
125	125	210	250	8XØ18	20	320	910	198	403	135	170	20
150	150	240	285	8XØ22	20	360	980	231	460	150	185	20

Type PTD	O	P	Q	R	S	T	U	X°	AA	BB	CC	DD
50	M12X20	172	50	35	105	45	18	35°	68	248	37,0	173
65	M12X20	190	45	45	130	80	18	35°	65	331	53,5	232
80	M12X20	206	50	50	130	80	18	35°	73	333	52,5	233
100	M12X20	235	70	55	160	90	18	35°	86	372	58,0	260
125	M12X20	256	60	60	180	100	18	35°	98	444	70,0	311
150	M12X20	292	65	65	210	120	18	35°	98	509	82,5	357

Head Office:
DMN Machinefabriek Noordwijkerhout B.V.
 P.O. Box 6, 2210 AA Noordwijkerhout, Holland
 Tel. +31 252 361 800, Fax +31 252 375 972 / 934
 E-mail: dmn@dmn-nwh.nl

Internet: www.dmn-nwh.nl



DMN WESTINGHOUSE

© DMN - Holland - 2000

Subsidiaries:
DMN U.K. Ltd.
 Unit 1&2, Harris Road,
 Porte Marsh Industrial Estate
 Calne, Wiltshire, SN 11 9PT, U.K.
 Tel. +44 1249 818 400
 Fax +44 1249 818 410
 E-mail: dmn@dmnuk.com

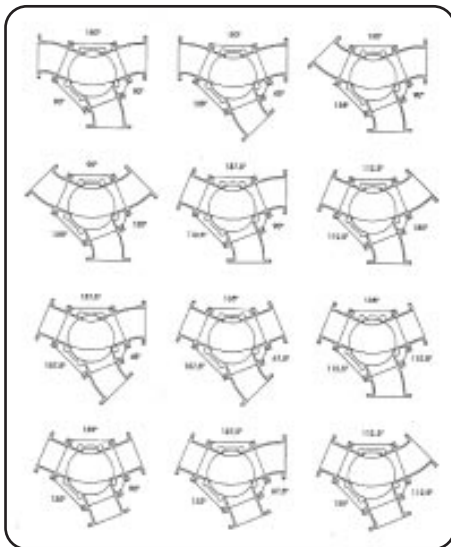
DMN Schüttguttechnik GmbH
 Rüterstrasse 8
 D-21244 Buchholz i.d. Ndh,
 Germany
 Tel. +49 4181 931 40
 Fax +49 4181 931 490
 E-mail: dmn-sgt@t-online.de

DMN Italia S.r.l.
 Via Oberdan, 10
 20064 Gorgonzola (Milan), Italy
 Tel. +39 02 951 38 454/46
 Fax +39 02 951 79 486
 E-mail: dmn@dmnitaly.com

DMN Incorporated
 3895 South Perkins Road, Suite 8
 Memphis, TN 38118, U.S.A.
 Tel. +1 901 360 1537
 Fax +1 901 360 0348
 E-mail: dmnfo@dmn-inc.com

COMPONENTS FOR BULK SOLIDS HANDLING

- Universal application
- For diverging and converging
- Sizes from NB 150 up to 400 (6" to 16")
- Pressure up to 3.5 bar g
- Maximum product temperature 120 °C
- Static or dynamic sealing
- No moving parts on the outside



PTD(SP)

The single pipe DMN-WESTINGHOUSE plug type diverter has been incorporated into the DMN supply program. This diverter was previously known as the RGPU manufactured by GESRA (GESRA was acquired by DMN last year). The PTD(SP) is designed to diverge or converge solids in powder or granular form in dilute and dense phase pneumatic transport systems.

Due to the modular design there are 12 different configurations possible: the body remains the same, but the flanges can be mounted as required. This gives all the conventional configurations as well as an array of specials. The diverter can be operated without stopping the gas stream, the conveying of product should however be stopped.

Product information

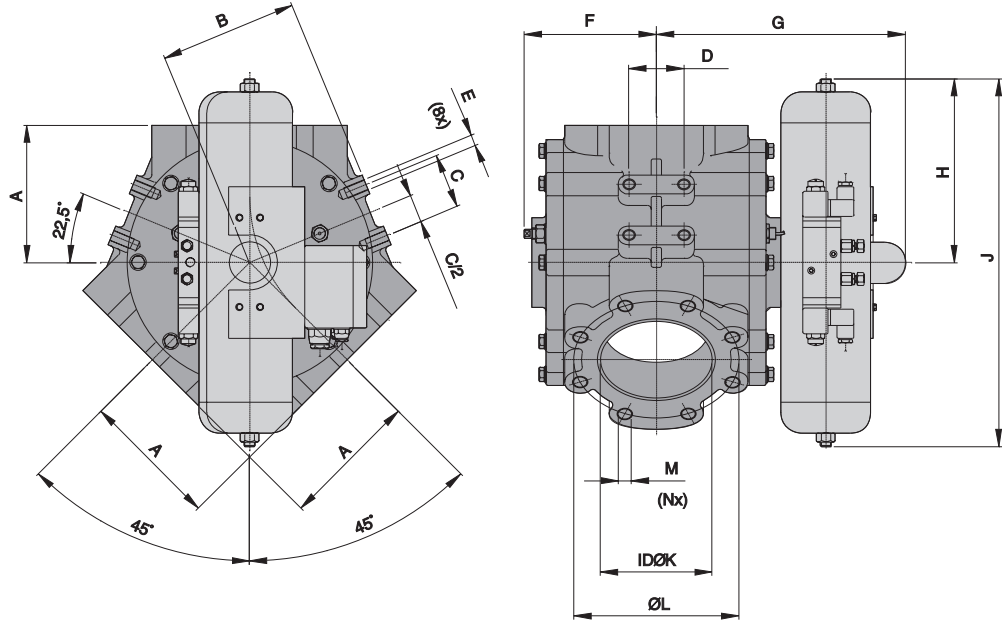
The PTD(SP) single pipe diverters are available in sizes from NB 150 up to 400 (6" to 16"). The diverter angle is 45°, with varying alternatives available depending on the mounting position of the flanges. The diverters are manufactured out of aluminium with stainless steel product contact parts. Designed for a maximum system pressure of 3.5 bar g and a maximum product temperature of 120 °C. A choice of static or dynamic sealing is available.

PTD (SP)

DMN-WESTINGHOUSE

Technical modifications are possible, dimensions in mm

PTD(SP).03.01



DMN-WESTINGHOUSE have been designing and manufacturing rotary valves, diverter valves and other related components for the bulk solids handling industry for more than 30 years. Offering tailor made solutions for chemical, food, plastics and pharmaceutical industries, DMN-WESTINGHOUSE products are distributed world-wide. Besides an extensive range of standard components, we supply USDA approved sanitary versions and explosion-proof models. An extensive network of subsidiaries, distributors and representatives ensures a high level of service and support all over the world.

Type PTD(SP)	A	B	C	D	E	F	G	H	J	ØK	DIN 2501, PN 10			ANSI 150 LBS			WEIGHT (KG)
											ØL	M	N	ØL	M	N	
150	200	200	80	80	M16	192	365	270	540	162.3	240	M20	8	241.3	M20	8	120
175	235	245	80	80	M16	225	400	315	630	187.7	270	M20	8	-	-	-	175
200	235	245	80	80	M16	225	400	315	630	213.1	295	M20	8	298.5	M20	8	185
250	285	290	100	100	M16	255	460	380	760	267.0	350	M20	12	362.0	M24	12	260
300	325	330	100	100	M16	296	500	380	760	317.9	400	M20	12	431.8	M24	12	320
350	380	380	100	100	M16	325	610	430	860	349.6	460	M20	16	476.3	M27	12	350
400	440	440	100	100	M16	355	640	430	860	400.4	515	M24	16	539.8	M27	16	380

Head Office:
DMN Machinefabriek Noordwykerhout B.V.
 P.O. Box 6, 2210 AA Noordwijkerhout, Holland
 Tel. +31 252 361 800 Fax +31 252 375 972/934
 E-mail: dmn@dmn-nwh.nl

Internet: www.dmn.info



© DMN - HOLLAND - 2001

Subsidiaries:
DMN U.K. Ltd.
 Unit 1&2, Harris Road,
 Porte Marsh Industrial Estate
 Calne, Wiltshire, SN 11 9PT, U.K.
 Tel. +44 1249 818 400
 Fax +44 1249 818 410
 E-mail: dmn@dmnuk.com

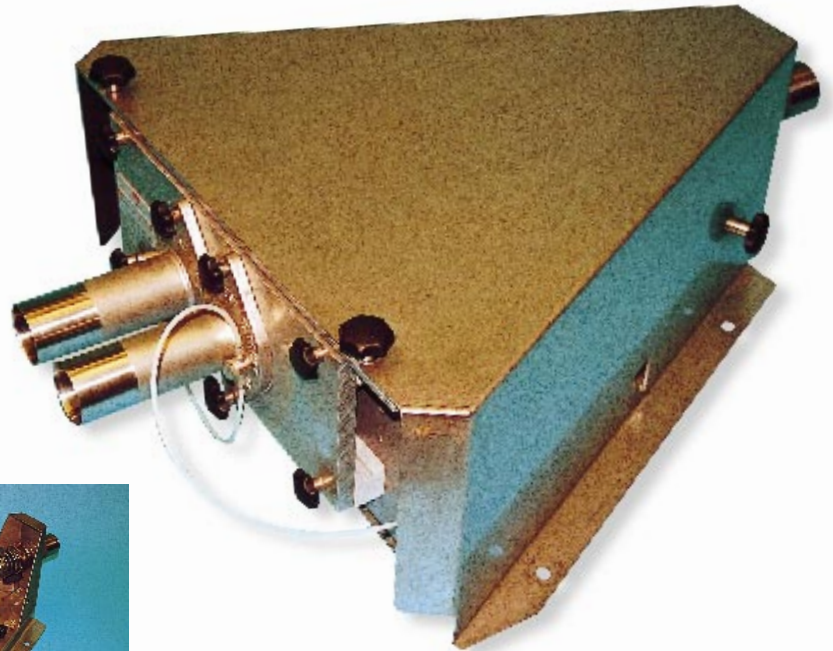
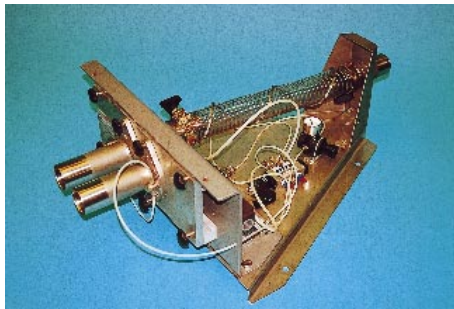
DMN Schüttguttechnik GmbH
 Rütgerstrasse 8
 D-21244 Buchholz i.d. Ndh, Germany
 Tel. +49 4181 931 40
 Fax +49 4181 931 490
 E-mail: dmn@dmn-schuetttguttechnik.de

DMN Italia S.r.l.
 Via Teresa Noce, 2
 20060 Pessano Con Bornago (MI), Italy
 Tel. +39 02 950 4747
 Fax +39 02 950 4775
 E-mail: dmn@dmnitaly.com

DMN Incorporated
 3895 South Perkins Road, Suite 8
 Memphis, TN 38118, U.S.A.
 Tel. +1 901 360 1537
 Fax +1 901 360 0348
 E-mail: dmnfo@dmn-inc.com

DMN-WESTINGHOUSE

- USDA* approved
- Smooth product contact surfaces
- Inflatable seals
- Minimises product degradation
- Easy detachable construction
- Compact execution available
- Flexible stainless conveying tube as an option



TDV

The DMN-WESTINGHOUSE TDV tube diverter has been primarily designed for pneumatic conveying systems in industries where the highest hygienic standards are required. The TDV is USDA* approved and is therefore ideal for use in the pharmaceutical and food industry, as well as being suitable for industry in general.

A smooth direction change is guaranteed by the use of a flexible tube, which also results in low valve wear, and a minimum of product degradation. Sealing of the conveying line is achieved by using inflatable seals, which also seal the conveying line not being used, therefore eliminating the chance of cross contamination

The diverter is easy dismantlable without tools and can be taken apart in 2 tot 3 minutes to facilitate cleaning.

The TDV diverters are available in 8 sizes from 40 to 200 mm (1.5" to 8"), covering tube diameters from 38 to 204 mm.

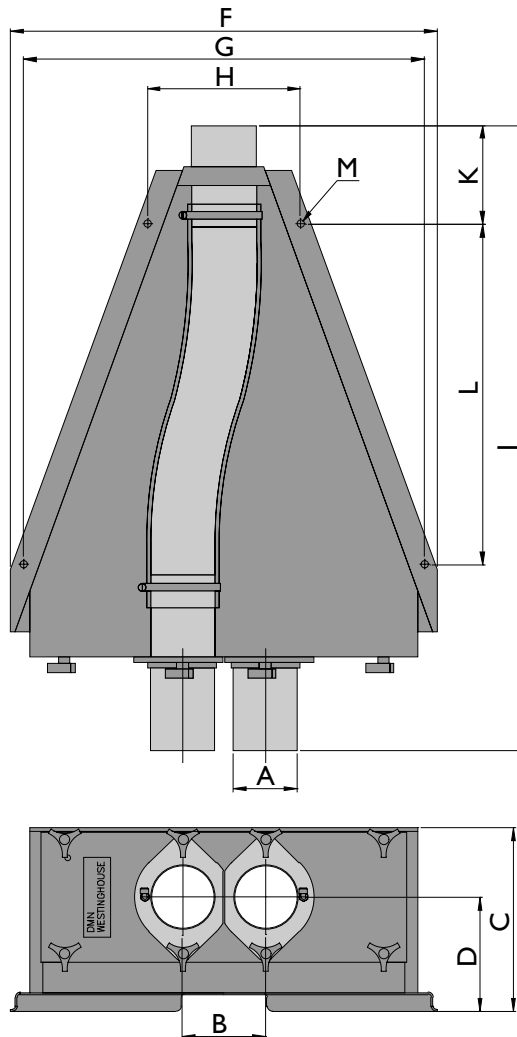
* United States Department of Agriculture
** Food and Drugs Administration

Product information

All product contact materials are FDA** approved. The sliding arrangement and connecting nozzles are made from DIN 1.4408 (AISI 316) polished stainless steel. The seals are made of FDA** approved polyurethane and the tube of FDA** approved PVC.

The diverter is air operated by means of a cylinder, and comes complete with electrical solenoid, position confirmation switches and a pressure regulator. The seals deflate when changing position and inflate on position confirmation. The standard model is suitable for handling products with a temperature from -20 °C up to +65 °C, and systems with a maximum working pressure of 1 bar g. Vacuum applications are also possible.

Other variations on the standard execution are available on request.



DMN-WESTINGHOUSE have been designing and manufacturing rotary valves, diverter valves and other related components for the bulk solids handling industry for more than 30 years. Offering tailor made solutions for chemical, food, plastics and pharmaceutical industries, DMN-WESTINGHOUSE products are distributed world-wide. Besides an extensive range of standard components, we supply USDA approved sanitary versions and explosion-proof models. An extensive network of subsidiaries, distributors and representatives ensures a high level of service and support all over the world.

Type TDV	ØA	B	C	D	F	G	H	J	K	L	M
40	38.1x1.5	80	240	155	580	520	210	780	155	330	4xØ12
50	50.8x1.5	80	240	155	580	520	210	780	155	330	4xØ12
65	63.5x1.5	130	290	180	670	630	240	985	155	535	4xØ12
80	76.1x1.5	130	290	180	670	630	240	985	155	535	4xØ12
100	101.6x2	130	290	180	670	630	240	985	155	535	4xØ12
125	129x2	200	380	225	900	860	305	1485	155	1035	4xØ12
150	154x2	200	380	225	900	860	305	1485	155	1035	4xØ12
200	204x2	250	482	285	1110	1070	415	1800	225	1210	6xØ18

Head Office:
DMN Machinefabriek Noordwykerhout B.V.
 P.O. Box 6, 2210 AA Noordwijkerhout, Holland
 Tel. +31 252 361 800 Fax +31 252 375 972/934
 E-mail: dmn@dmn-nwh.nl

Internet: www.dmn.info



© DMN - HOLLAND - 2001

Subsidiaries:
DMN U.K. Ltd.
 Unit 1&2, Harris Road,
 Porte Marsh Industrial Estate
 Calne, Wiltshire, SN 11 9PT, U.K.
 Tel. +44 1249 818 400
 Fax +44 1249 818 410
 E-mail: dmn@dmnuk.com

DMN Schüttguttechnik GmbH
 Rütgerstrasse 8
 D-21244 Buchholz i.d. Ndh, Germany
 Tel. +49 4181 931 40
 Fax +49 4181 931 490
 E-mail: dmn@dmn-schuettingtechnik.de

DMN Italia S.r.l.
 Via Teresa Noce, 2
 20060 Pessano Con Bornago (MI), Italy
 Tel. +39 02 950 4747
 Fax +39 02 950 4775
 E-mail: dmn@dmnitaly.com

DMN Incorporated
 3895 South Perkins Road, Suite 8
 Memphis, TN 38118, U.S.A.
 Tel. +1 901 360 1537
 Fax +1 901 360 0348
 E-mail: dmnfo@dmn-inc.com