

Sugar Powder Processing & Sugar Powder Handling

# THEREC ENGINEERING & CONSULTING CO.,LTD.

THEREC PROCESSING MACHINE CO.,LTD

Designer of Material handling System & Manufacturing Process for Sugar powder



Manufacturer & Importer of Sugar Processing Machines, Equipment & Components



**Therec Engineering & Consulting Co, Ltd.**

Tel (662) 893 9003-4 (5 lines)

Fax : (662) 893 9005 ,893 9178

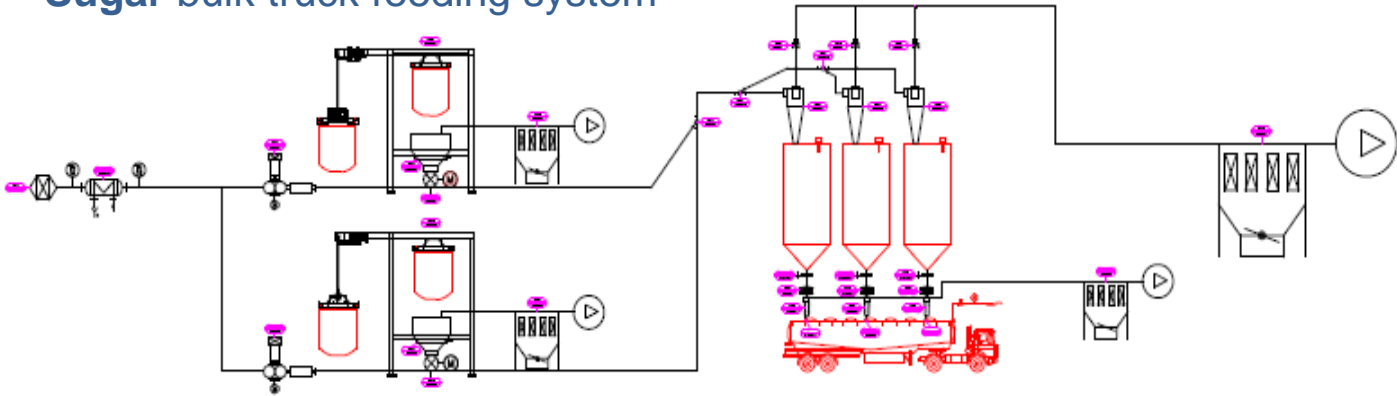
[www.thereceng.com](http://www.thereceng.com)

88 Soi Karnjanapisek 4/2 Karnjanapisek Rd. Bangbon Bangkok 10150 Thailand

Sugar Processing TRE&C 01 / 2018

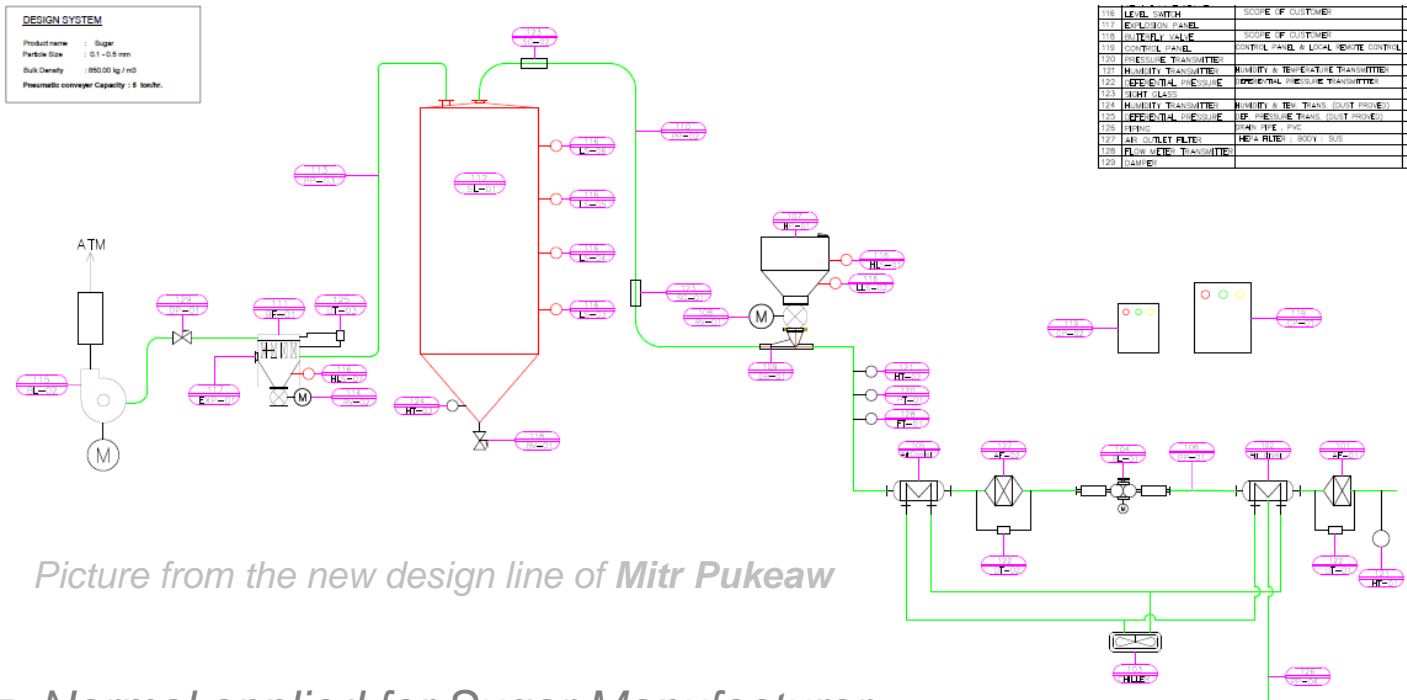
**Sugar Silo Loading & Unloading Systems**  
**Sugar Pneumatic Conveying Systems ,Bulk truck loading system**  
**Air cooling & Air Drying system for Sugar Moisture control**  
**Sugar Dust Explosion Protection Systems**  
**Sugar Weighing, Grinding and Mixing Systems**  
**Sugar Big bag unloading and filling system**  
**Computerized Automatic & SCADA control system**

**Sugar bulk truck feeding system**



*Picture from the new design line of Tip Sugar*

**Sugar bagging machine feeding system**



*Picture from the new design line of Mitr Pukeaw*

- Normal applied for Sugar Manufacturer

**Sugar Powder Processing & Powder Handling System**

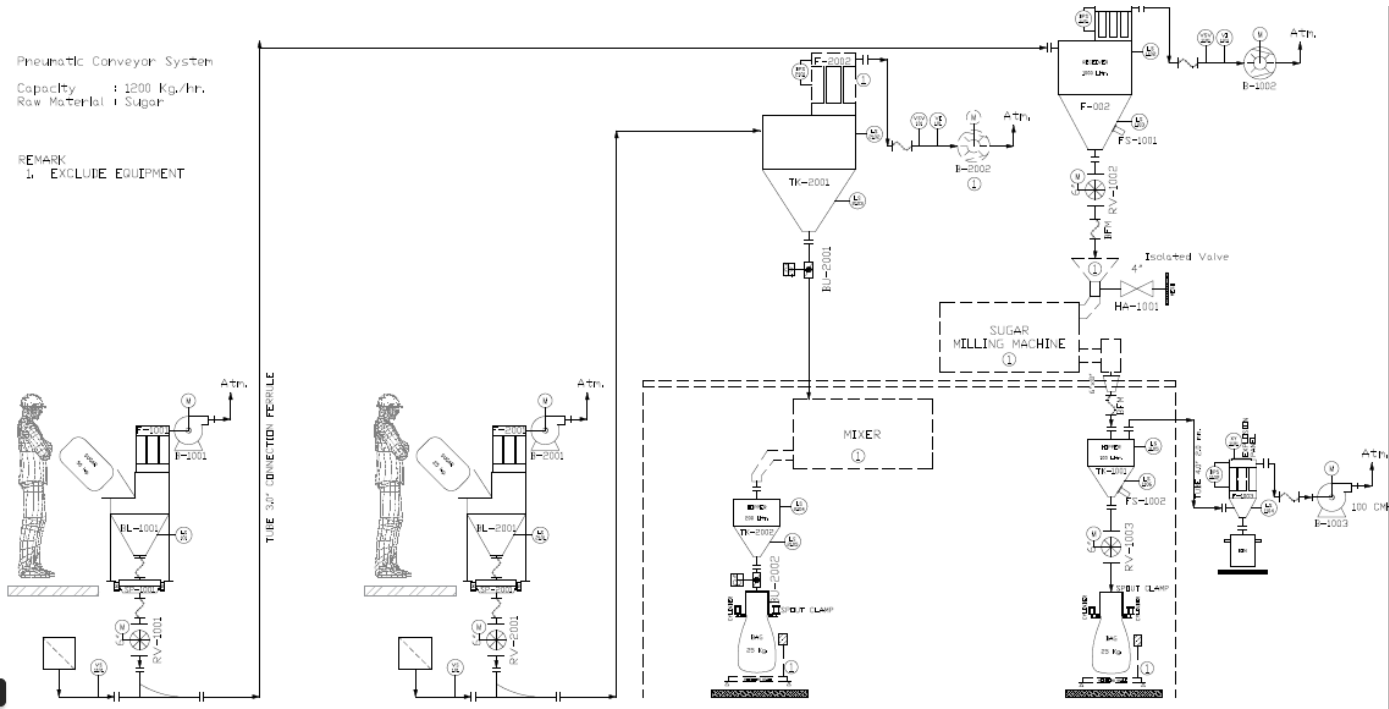


[www.thereceng.com](http://www.thereceng.com)

# Sugar Grinding & Dust explosion protection system

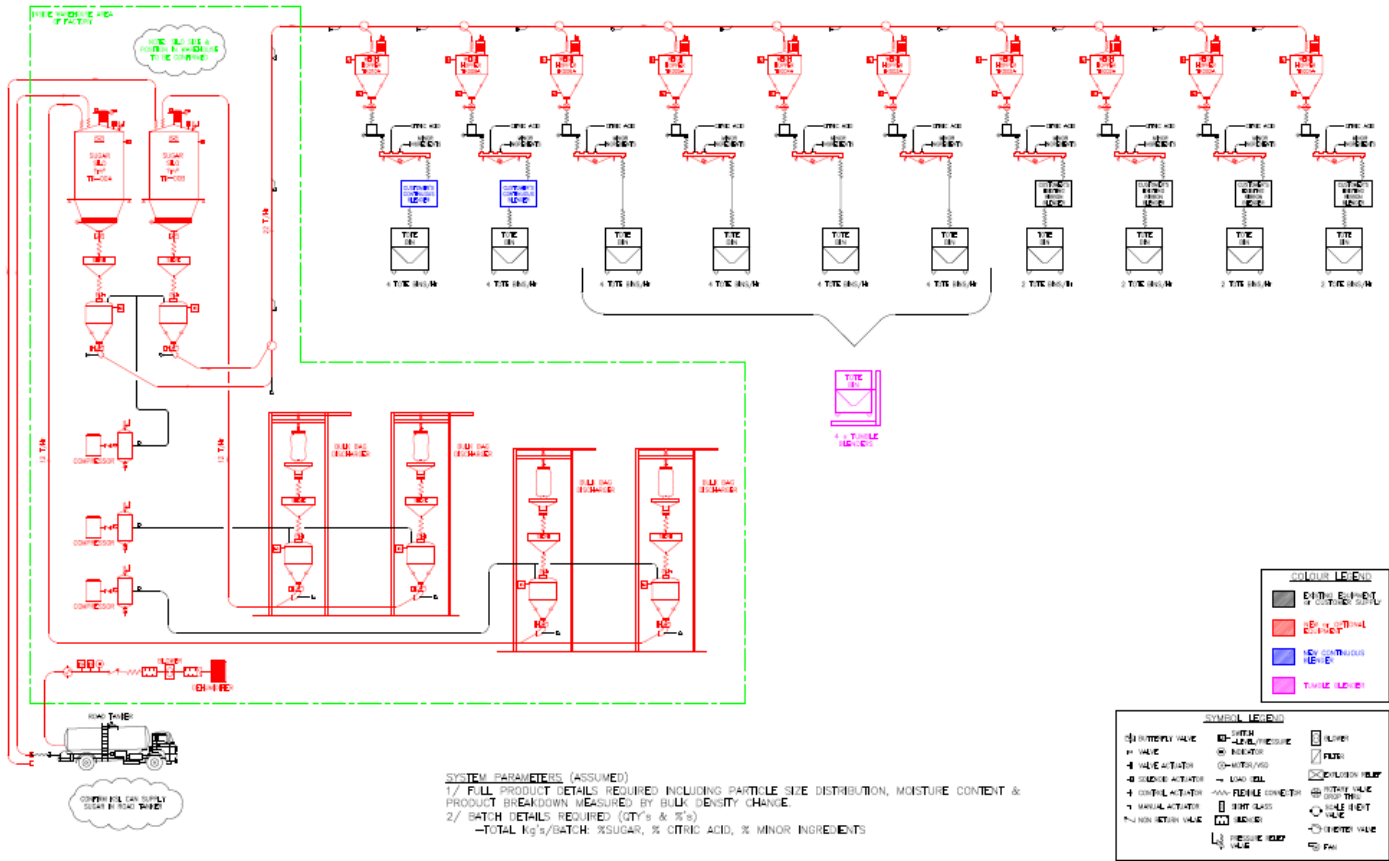
Pneumatic Conveyor System  
Capacity : 1200 kg./hr.  
Raw Material : Sugar

REMARK  
1. EXCLUDE EQUIPMENT

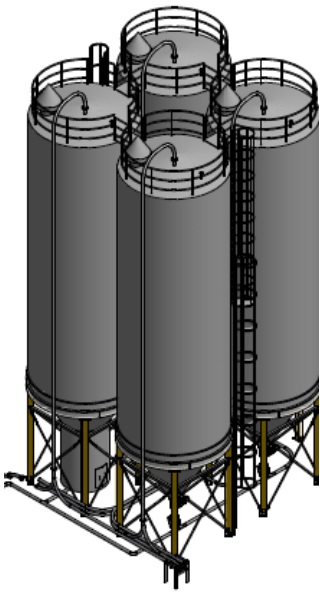


Picture from Benjanpong, a co-packer company of Nestle (Thailand)

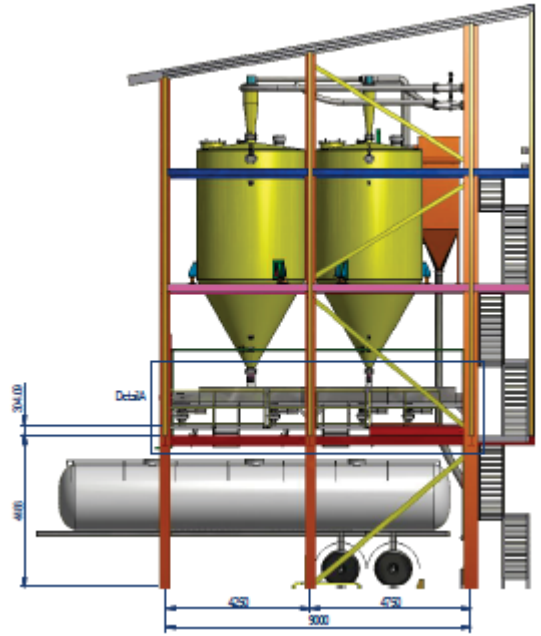
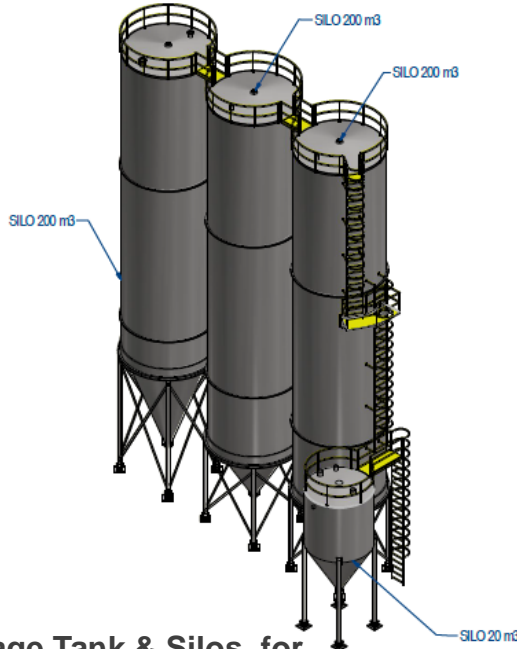
# Sugar Silo loading , Process feeding , Weighting and Mixing system



# Stainless steel silos & Hopper, Liquid mixer Bag filter & Cyclone



Stainless Steel Storage Tank & Silos, for Bulk truck and Big bag unloading



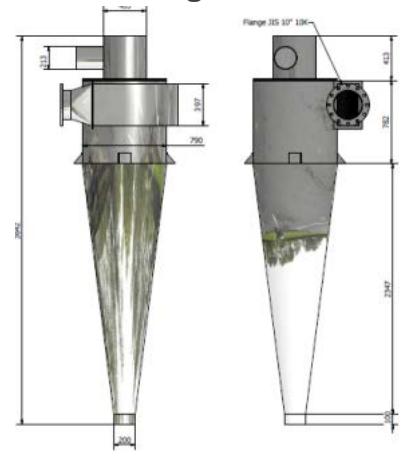
Weighting Silos for Bulk truck loading



Stainless steel tote bin



Loading Hopper



Cyclone

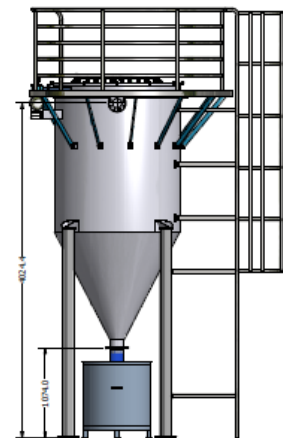
Stainless Steel Fabrication work Pieces



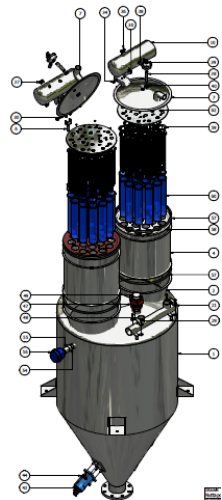
Food & Pharma processing tank



Liquid Storage tank with Agitator



Bag filter & hopper





**Stainless Steel Storage Tank & Silos & Sugar Big bag unloading station**



**Stainless steel bag filter**

**Sugar collecting Cyclone**



**Liquid Storage tank with Agitator**

**Food & Pharma processing tank**

**Bag filter & hopper**

**TRT Factory Co., Ltd.**

*General TRT brochure 01/2016*

บริษัท ที. อาร์. ที. แฟคตอรี จำกัด

Tel : (662) 156 9156 ,081 6166041

Fax : (662) 156 9157

**THEREC**

Head office : 88 Soi Karnjanapisek 4/2. Bangbon Bangkok 10150

TRT FACTORY CO., LTD.

Factory : 16/2 M. 10 Nongpraongi Sainoi Nonthaburi 11150

Powder Mixer, Grinder, Sifter & Dryer  
 Rotary valve & Diverter Valve, Flexible connector  
 Explosive dust protection equipment  
 Roots Blower, Ring blower & Vacuum pump

**Imported Products**

Roots /Truck/ Blower



Air lock Rotary & Diverter valve



Compression & Cam Lock couplings, Side glass



Cipriani Harrison Valves Pvt. Ltd.



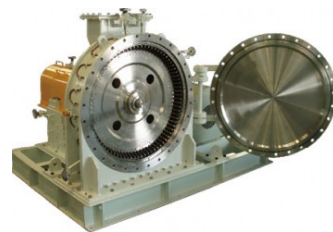
Flexible connecting/Flexible hose



Dust explosion protection equipment, Bursting panel & Isolated valve



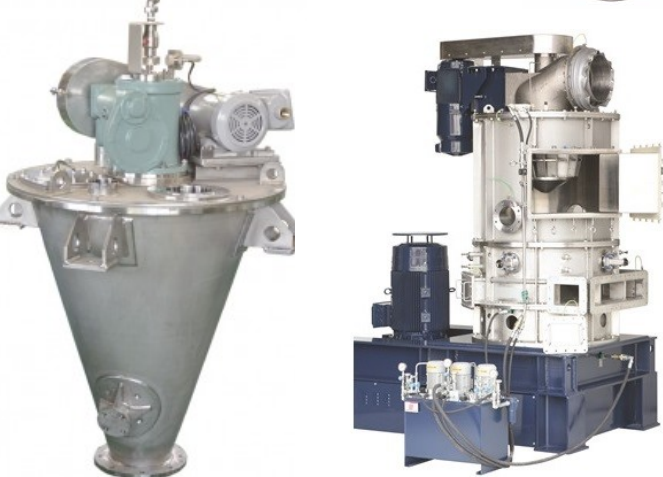
Separator, Feeder, Mixer, Pulverizer, Grinder, Dryer



Process Technologies for Tomorrow



**HOSOKAWA MICRON CORPORATION**



**Therec Corporation Ltd.** [www.thereccorp.com](http://www.thereccorp.com)

Tel ☎ (662) 893 9003-4 Fax : (662) 893 9005

88 Soi Karnjanapisek 4/2 Karnjanapisek Rd. Bangbon Bangkok 10150 Thailand

General product TRTT02 / 2016



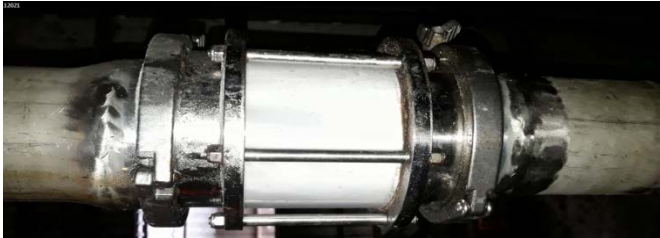


## High pressure Roots blower Package with Air dryer & Air cooler for Sugar conveying line

Mitr Pukeaw Factory  
United Farmer Industry Co.,Ltd.



## Food grade Air lock Rotary valve For sugar & malt powder AB Food Co., Ltd. / Ovaltin



## Side glass for sugar conveying line Mitr Pukeaw Factory

 *Cipriani Harrison Valves Pvt. Ltd.*



## Sugar Vibrating screen Flexible connecting Ueno Fine Chemical Industry (Thailand) Ltd.

## Sugar Milling Machine Flexible connecting Benjanpong Co.,Ltd. / A co-packer of Nestle (Thailand)



## Dust explosion protection equipment, Bursting panel & Isolated valve Benjanpong Co.,Ltd.

VIGILEX®  CE



Lump Breaker, Rotary valve, Diverter Valve  
Easy clean Screw Conveyor, Small bag dumping Stations

## Manufacturing Products



Rotary valve



Diverter valve



Easy clean Screw Conveyor



Lump Breaker



Big Bag Unloading Station

Small Bag Dumping (Tipping) Station

**Therec Corporation Ltd.** [www.thereccorp.com](http://www.thereccorp.com)

Tel ☎ (662) 893 9003-4 Fax : (662) 893 9005

88 Soi Karnjanapisek 4/2 Karnjanapisek Rd. Bangbon Bangkok 10150 Thailand

General product TRTT02 / 2016

บริษัท เทอร์เรค คอร์ปอเรชั่น จำกัด

**THEREC**

THEREC CORPORATION LTD.





**Air lock Rotary & Diverter Valve / Product Sampling Valve / Mitr Pukeaw Factory**  
Sugar dust from vibrating screener. blow to packing machine



**Gravity feed Diverter**  
Ratchaburi Sugar Co., Ltd.  
Refine suagr



**Outboard Rotary valve**  
Thip Sugar Co., Ltd.  
Refine sugar



**Compact Rotary valve**  
Benjanpong Co., Ltd.  
Sugar grinding macine



**Easy clean screw conveyor**  
AB Food (Thailand) Ltd. / Ovaltin  
Sugar + Malt + Milk powder



**Lump Breakers / Mitr Puieng. / Brown Sugar**



**Big Bag Unloading station**  
AB Food (Thailand) Ltd. / Ovaltin  
Sugar + Milk powder



**Big Bag Unloading station / Sugar**  
TIPCO Food Co., Ltd.

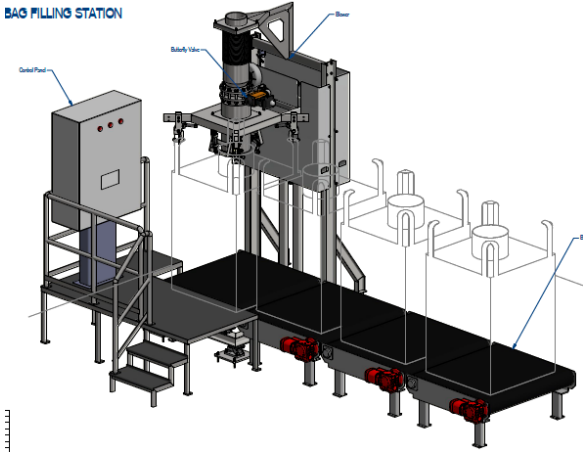


**Big Bag Unloading station**  
Dutch Mill Co., Ltd.  
Sugar + Milk powder

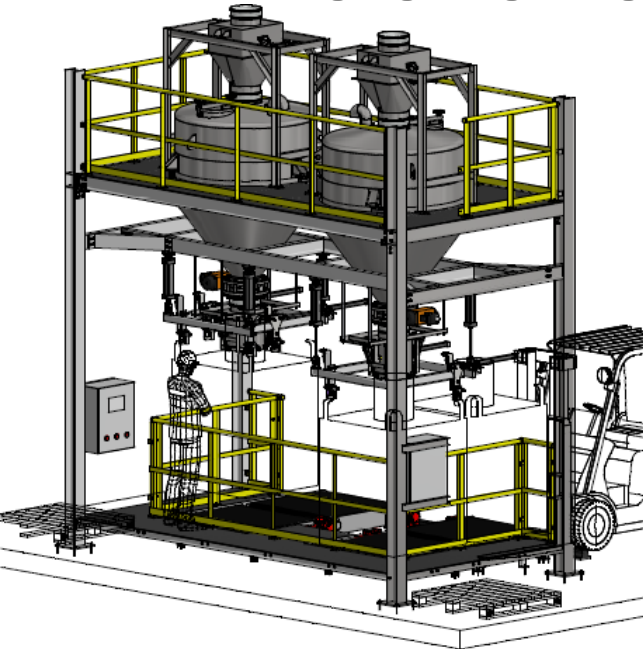


# Big Bag Filling Machine, Micro Feeder & Load cell

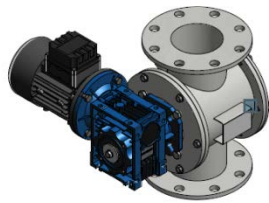
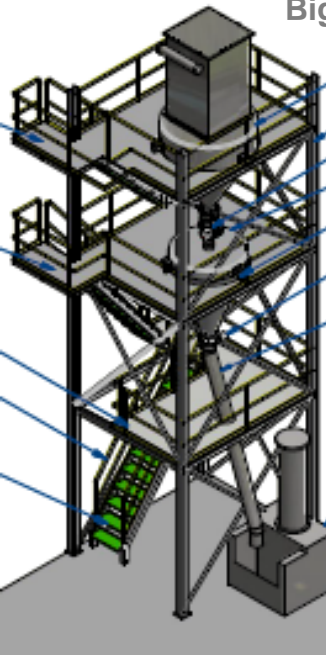
BAG FILLING STATION



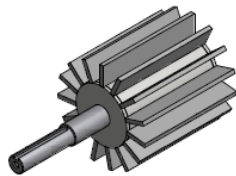
Big Bag Filling & Weighting Station / Low speed / Hopper Scale



Big Bag Filling & Weighting Station / High Speed / Platform Scale



COMPACT TYPE ROTARY VALVE

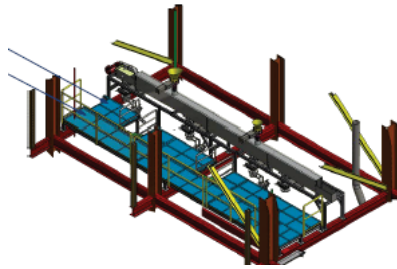
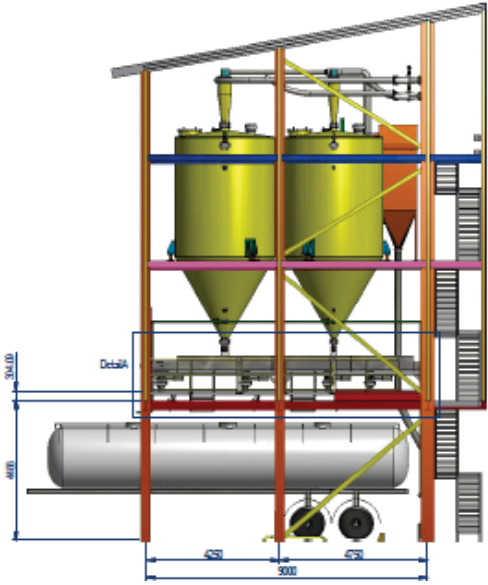


RC-ROTOR

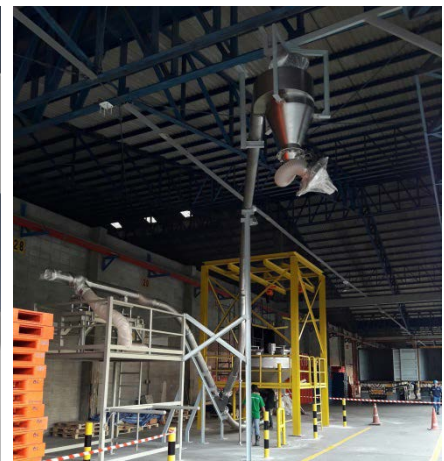
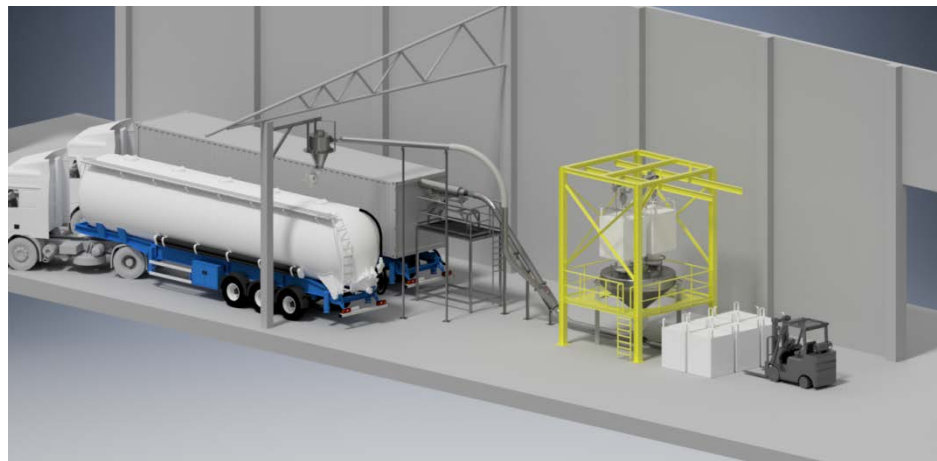


Weighting and Feeding Station

# Big Bag Filling Machine, Micro Feeder & Load cell



Bulk Truck Loading station



Container & Bulk Truck Loading station



Low profile mounting assembly  
Atex & IECEx Certification



Install and Removal  
without lifting tool



Anti Vibration  
type



Silo mount



Smart Digital  
Display



XT 200 model



Junction box



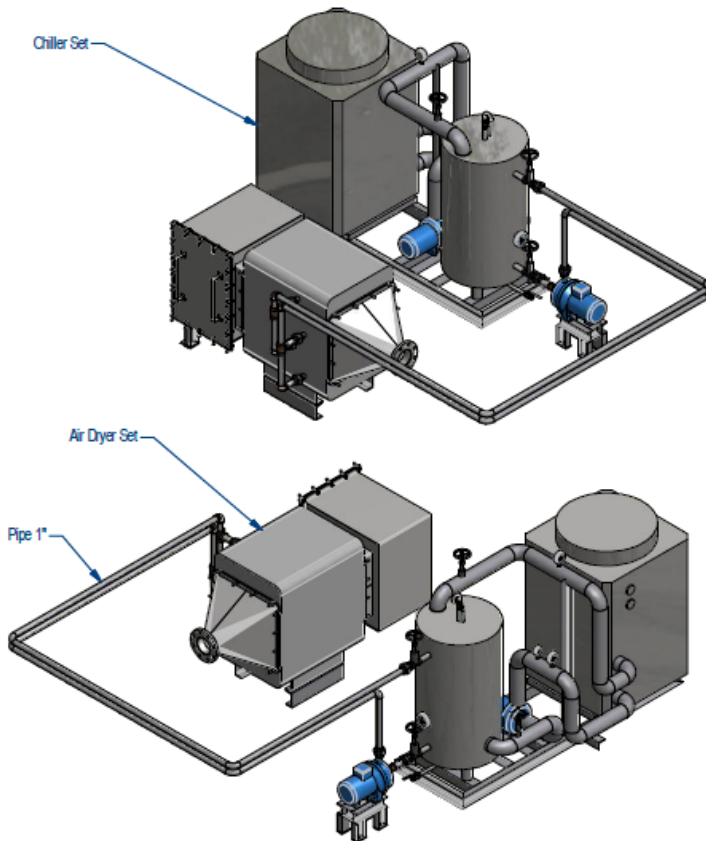
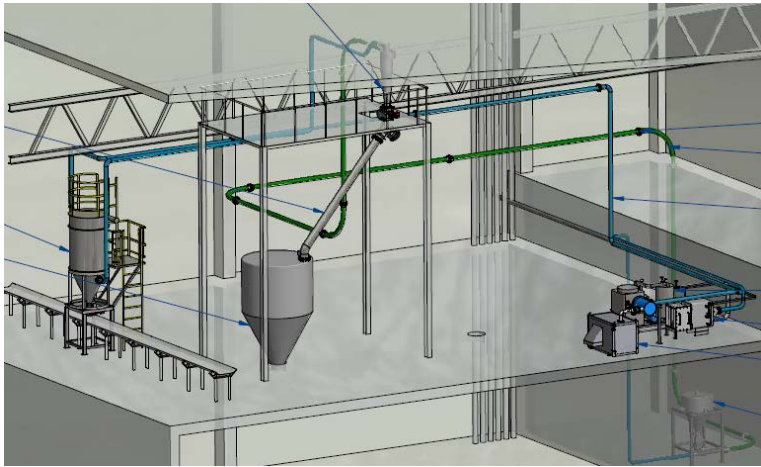
Therec Processing Machine Co., Ltd. [www.thereceng.com](http://www.thereceng.com)

Tel ( 662 ) 893 9003-4 ( 5 lines )

Fax : ( 662 ) 893 9005 , 893 9178

88 Soi Karnjanapisek 4/2 Karnjanapisek Rd. Bangbon Bangkok  
10150 Thailand

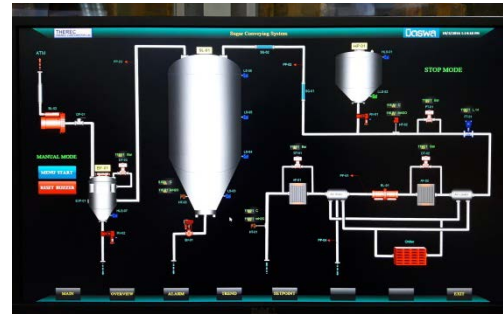
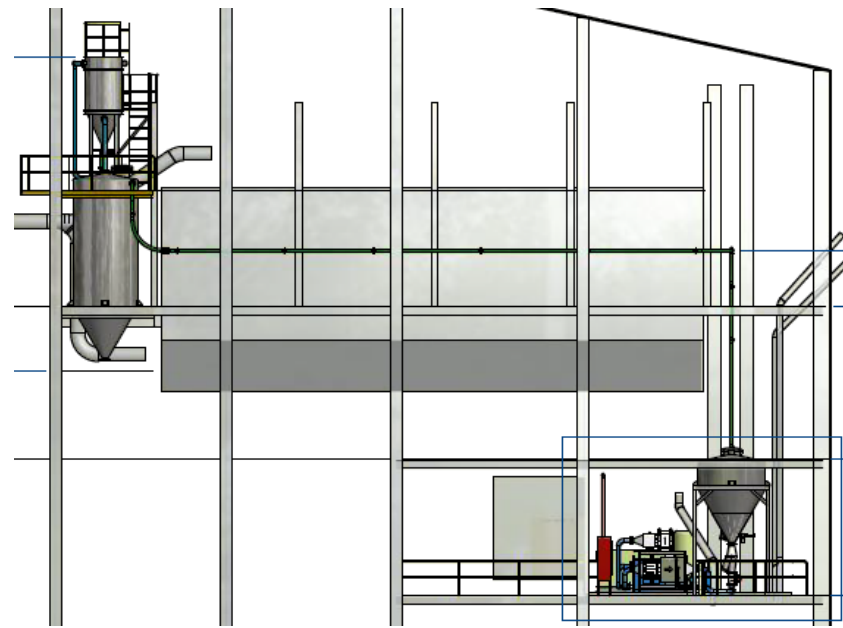
General product TRPM 02 / 2016



## Sugar loading system Mitrphol Poowiang

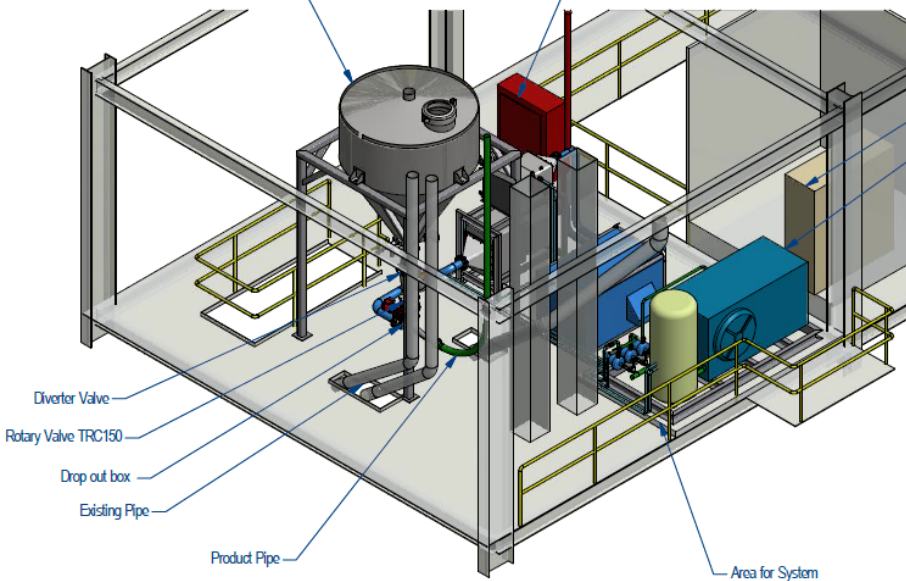
The total system consisting of :

- 1 of 5.0 tons negative Pneumatic conveying systems
- 1 of Stainless steel dumping hopper 2.0 m3
- 1 of carbon steel Bag filter
- 1 of Stainless steel Cyclone material collector
- 1 of Automatic control air cooler with chiller
- 1 of High pressure Roots blower 18.5 kw / 25.0 hp
- 1 of Heavy duty air lock rotary valves Stainless steel 304
- 1 of Electrical control box, with SEMENS S7 1200 PLC ,



Hopper 4 m3 & Structure Set

Existing Fire Station



Divter Valve

Rotary Valve TRC150

Drop out box

Existing Pipe

Product Pipe

Area for System

## Sugar loading system (Sugar dust from screener) Mitraphol Pukeaw

The total system consisting of :

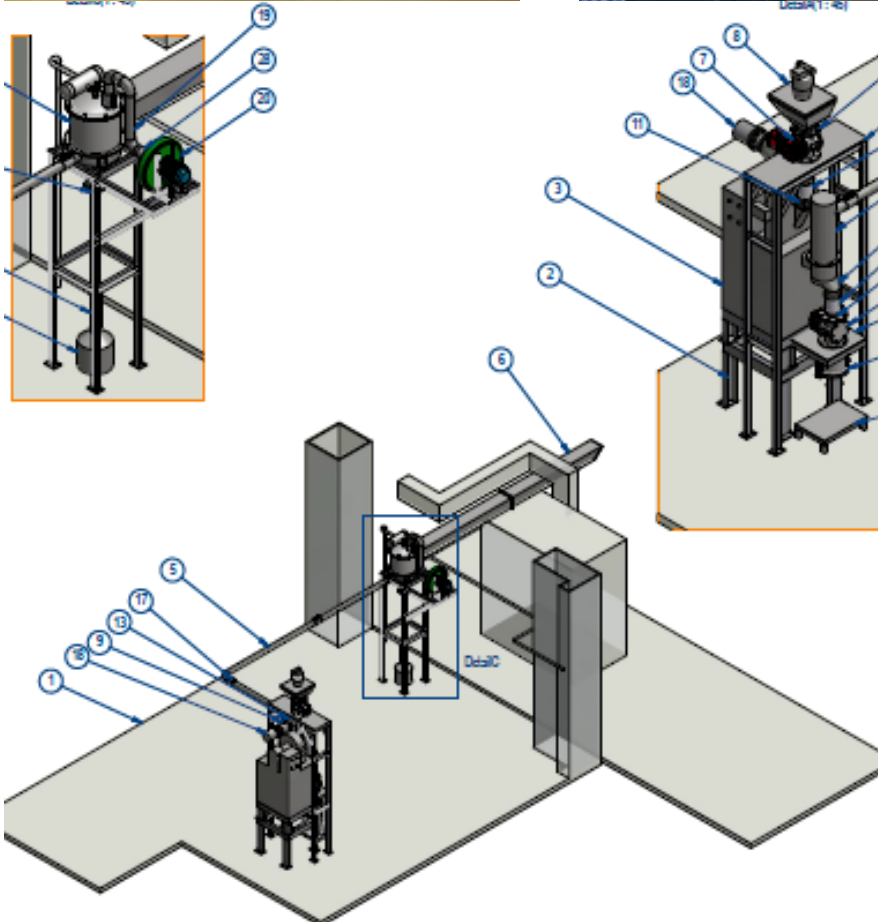
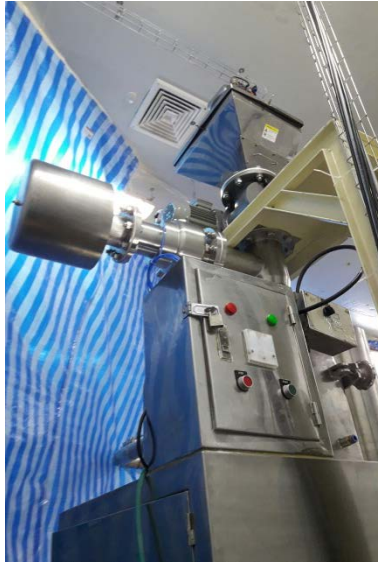
- 1 of 5.0 tons positive Pneumatic conveying systems
- 1 of Stainless steel hopper 4.0 m3
- 1 of carbon steel Bag filter with explosive vent panel
- 1 of Automatic control air dryer and air cooler with chiller
- 1 of High pressure Roots blower 18.5 kw / 25.0 hp
- 1 of Heavy duty air lock rotary valves Stainless steel 304
- 1 of Electrical control box, with SEMENS S7 1200 PLC , with SCADA system connected to PC

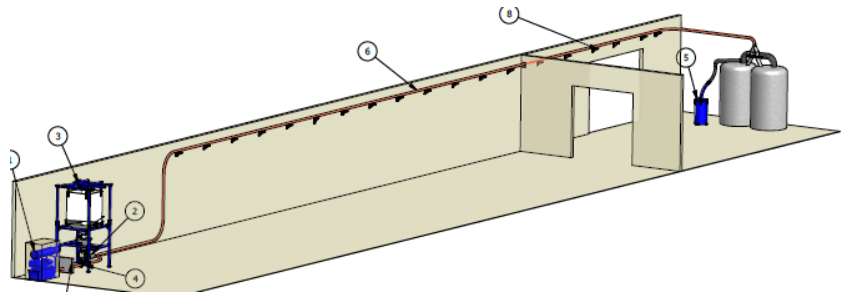
# Therec Engineering & Consulting Co., Ltd.

## Sugar Grinding system Benjapanpong Co.,Ltd. / A co-packer of Nestle(Thailand)

The total system consisting of :

- 1 of Sugar dust collecting system
- 1 of Atex Isolated valve size 4.0"
- 1 of Stainless steel bag filter with explosive panel
- 2 of Compact easy clean rotary valves Stainless steel 304 ,6.0" with 2 BFM fitting sets
- 1 of Electrical control box, with SEMENS LOGO PLC





## Sugar loading system Tipco food

The total system consisting of :

- 1 of 3.0 tons Pneumatic conveying systems
- 1 of Big bag unloading station
- 1 of High pressure Roots blower 11.0kw / 15.0 hp
- 1 of Heavy duty air lock rotary valves Stainless steel 304
- 1 of Electrical control box, with SEMENS LOGO PLC

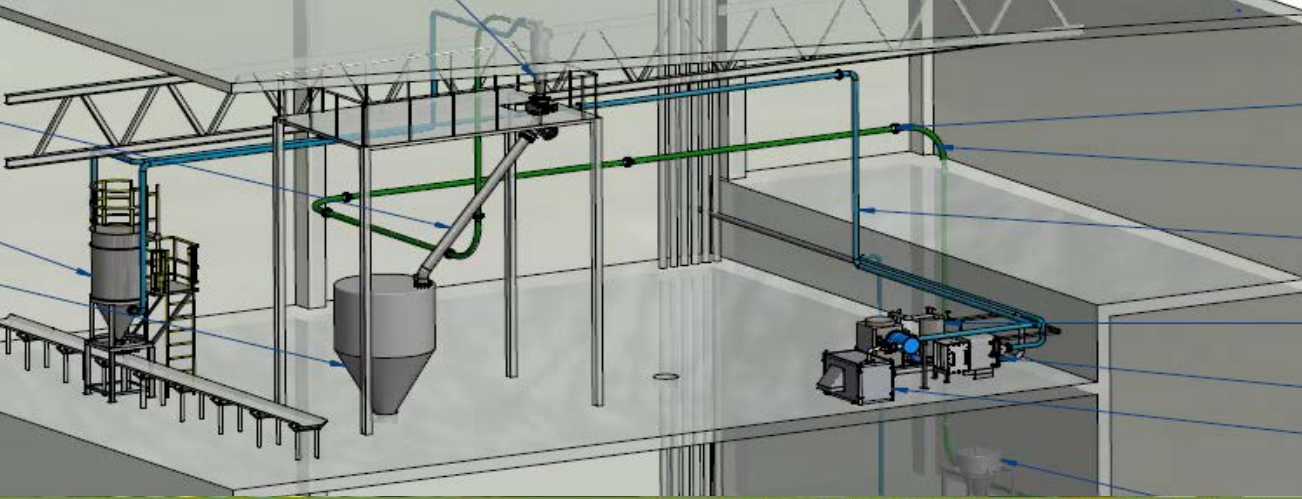


## Sugar loading system Dutch mill

The total system consisting of :

- 1 of 3.6 tons Pneumatic conveying systems
- 1 of Stainless steel Cyclone , & Bag filter
- 1 of Big bag unloading station
- 1 of High pressure Centrifugal blower 5.5 kw / 7.5 hp
- 1 of Heavy duty air lock rotary valves Stainless steel 304
- 1 of Electrical control box, with SEMENS LOGO PLC

# Bulk Material Handling System Integrator



THRECE PROCESSING MACHINE CO.,LTD



Picture from *Mitr Phol*



- Clear & Complete engineering process design with the main components of the process coming from a single source, precisely matched for the influences system operation with the full reliable service team.



Picture from *Mitr Pooweing*



Picture from *Mitr Pookeaw*

## Sugar Handling System

- Hygienic process with easy clean feature
- Versatile systems / Dust free operation
- User friendly / Easy to maintenance