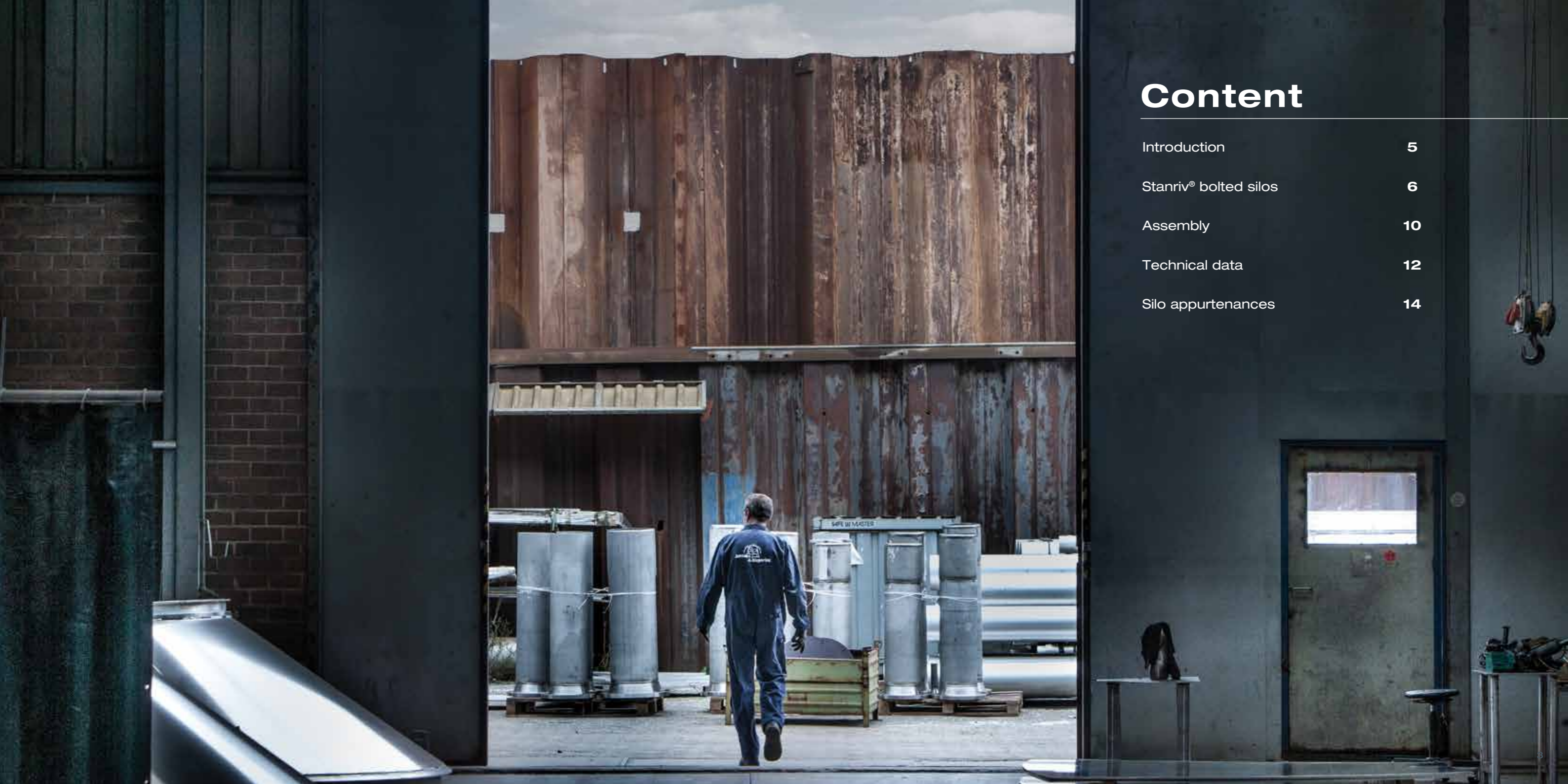




Stanriv[®] bolted silos



Content

- Introduction 5
- Stanriv® bolted silos 6
- Assembly 10
- Technical data 12
- Silo appurtenances 14



Introduction

Founded in 1945, Jansens & Dieperink has 70 years experience in engineering, fabrication and site assembly of large aluminum and stainless steel constructions. This experience combined with a range of services - from detailed engineering to on-site assembly - makes us the number one choice for a wide range of global customers, as indicated on this map.

We are ISO 9001 and EN 1090 certified.



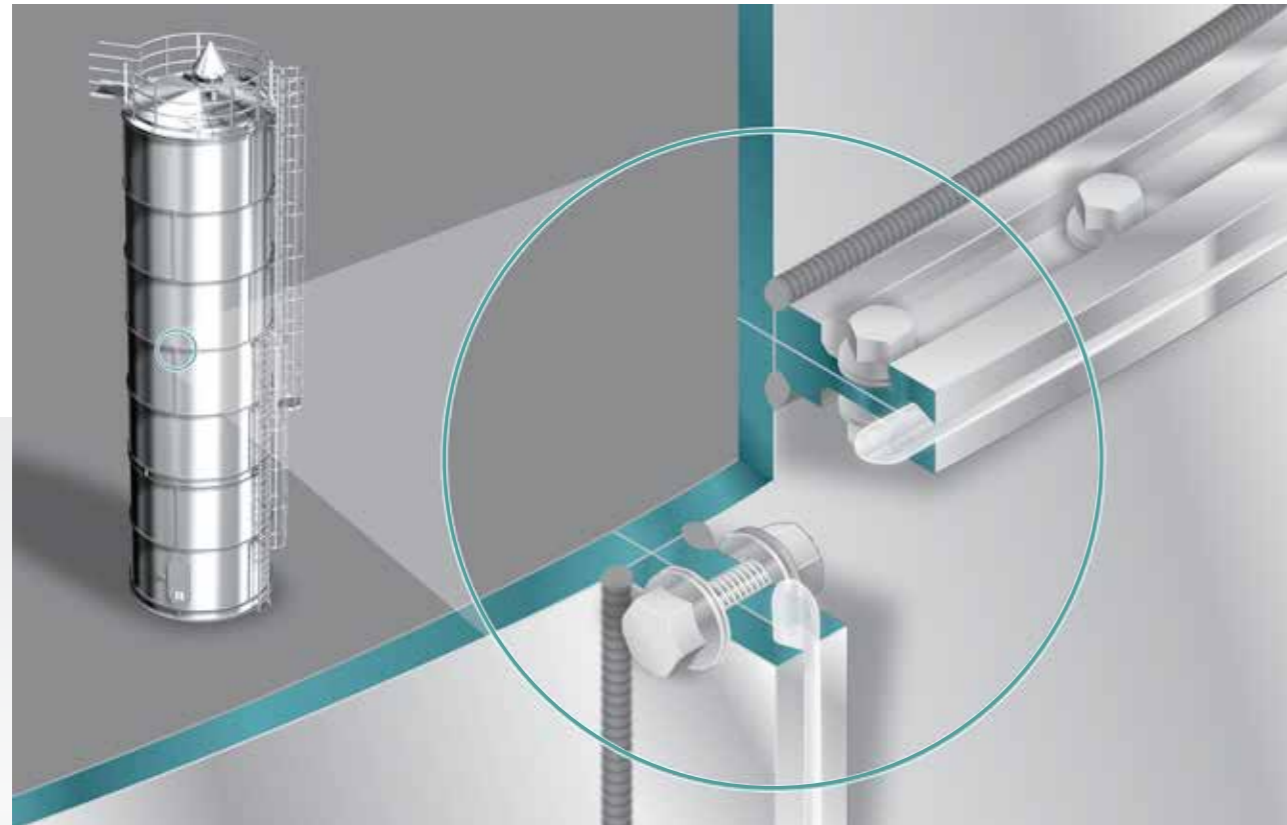
Stanriv® bolted silos

The concept: Prefabricated silo parts are delivered in sea containers and bolted together. It is simple and easy! No welders or specialized personnel are required!

The pre-fabricated silo parts can easily be assembled at site by your own staff or hired

contractor, using the detailed user manual, and a small crane.

A special patented design allows for a tight connection with a polyurethane seal. Since this seal is applied on the outside, and not between the flanges, proper tightness is guaranteed.



Stanriv® bolted silos are:

- Delivered as an assembly kit in prefabricated segments
- Shipped in standard 40 ft sea containers
- Assembled using a unique, patented design
- 100% tight, also at the T-joints

The design of the panels make it possible to visually inspect and maintain the sealing. Dismantling of the silo is not required. Besides this there is no risk of damaging the sealing during assembly.

Shipping

The silo parts are shipped in standard 40 ft sea containers which ensures easy, safe and economic transport worldwide.

Blenders

Blending and homogenizing has gained importance in the petrochemical industry to ensure quality of the end product. Stanriv® silos can be equipped with blending internals.



3 Stanriv® silos in Uruguay.



6 Stanriv® silos in Malaysia.



6 Stanriv® silos in Turkey.

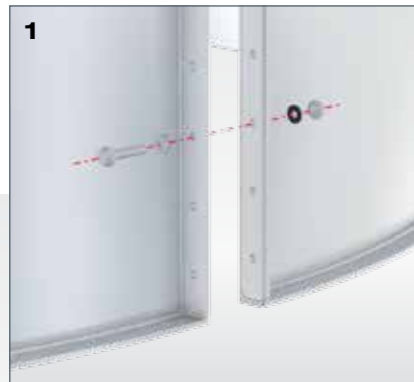


Assembly

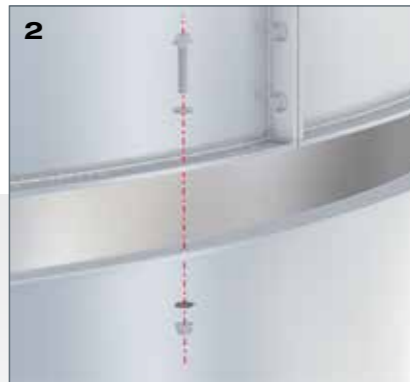
Assembly of Stanriv® silos is very easy and requires little time. A 200 m³ silo can be erected within 4 working days. Where other suppliers apply a sealing between silos segments, J&D applies the sealing on the outside. This innovative patented technology does not require gaskets, with risk of damage/leakage. The seal is a flexible one-component sealant, based on polyurethane with excellent mechanical resistance and sufficient elastic properties.

Assembly, crane and manpower requirements

Silo size	Manpower # workers	Time # days	Crane capacity [hours]		
			20 T	50 T	80 T
400 m ³	6	4-5	30	10	-
300 m ³	6	4-5	30	10	-
200 m ³	6	3-4	25	8	-
150 m ³	6	2-3	22	-	-
100 m ³	6	2-3	20	-	-



1 Bolting the vertical flanges.



2 Bolting the horizontal flanges.




3 Seal the flanges on the outside.





Technical data

The material of construction for Stanriv® silos is aluminum or stainless steel. Stanriv® silos can be designed in standard sizes ranging from 50 to approx. 500m³. For customer specific requirements, or storage capacities not listed in this brochure please contact us.

Material	Aluminum / Stainless Steel	Product load	Eurocode
Roof angle	15°	Buckling	Eurocode
Cone angle	60°	Wind	IBC / Eurocode
Design pressure	-5 / +50 mbarg	Earthquake	IBC / Eurocode

	Short skirt		ø 3900 mm		ø 5400 mm	
			Gross volume [m ³]	Height [H] [mm]	Gross volume [m ³]	Height [H] [mm]
			66	4704	184	6706
			89	6706	229	8708
			113	8708	275	10710
			137	10710	321	12712
			160	12712	366	14714
			185	14714	412	16716
			208	16716	457	18718
			232	18718	503	20720
			256	20720	549	22722

	Long skirt		ø 3900 mm		ø 5400 mm	
			Gross volume [m ³]	Height [H] [mm]	Gross volume [m ³]	Height [H] [mm]
			66	8708	184	12712
			89	10710	229	14714
			113	12712	275	16716
			137	14714	321	18718
			160	16716	366	20720
			185	18718	412	22722
			208	20720	457	24724
			232	22722	503	26726
			256	24724	549	28728
	Free height [A] [mm]		1150		1850	

	Short skirt + legs		ø 3900 mm		ø 5400 mm	
			Gross volume [m ³]	Height [H] [mm]	Gross volume [m ³]	Height [H] [mm]
			66	8708	184	12712
			89	10710	229	14714
			113	12712	275	16716
			137	14714	321	18718
			160	16716	366	20720
			185	18718	412	22722
			208	20720	457	24724
			232	22722	503	26726
			256	24724	549	28728
	Free height [A] [mm]		1150		1850	

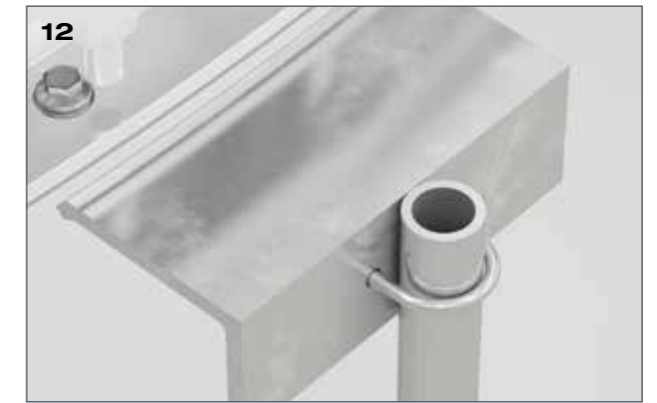
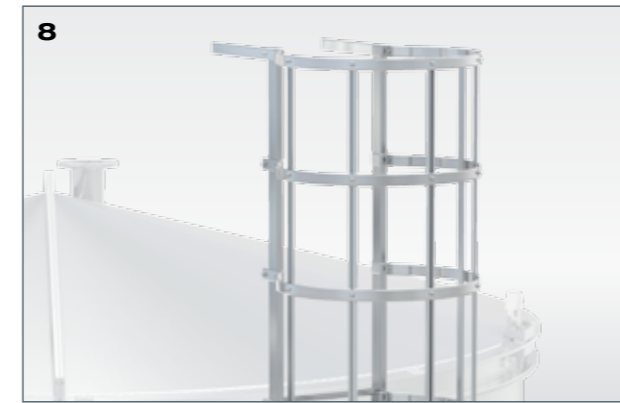
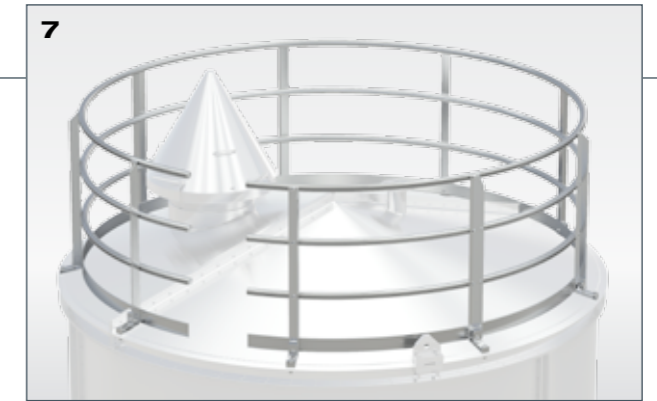
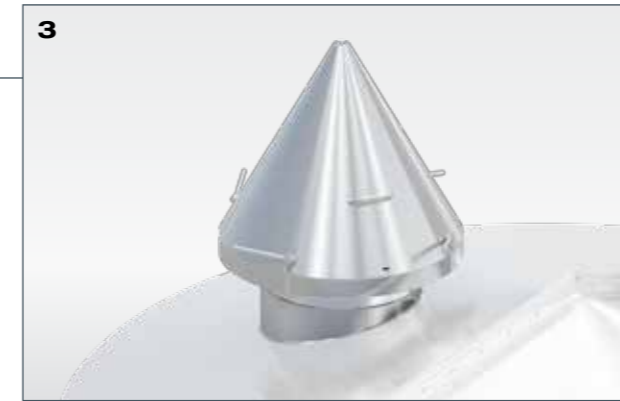
Silo appurtenances

Standard

- 1 Filling nozzle
- 2 Discharge nozzle
- 3 Vented manhole
- 4 Lifting lugs
- 5 Earthing lugs
- 6 Nameplate

Optional

- 7 Handrail
- 8 Caged ladder
- 9 Aluminum filling pipe
- 10 Socket for level indicator
- 11 Sightglass
- 12 Cable protection pipe
- 13 Load cell package
- 14 Davit





Zuiddijk 416, 1505 HE Zaandam
P.O. Box 436, 1500 EK Zaandam
The Netherlands

Phone +31(0)75 616 85 55

Fax +31(0)75 616 85 69

E-mail info@jansensanddieperink.com

www.jansensanddieperink.com

