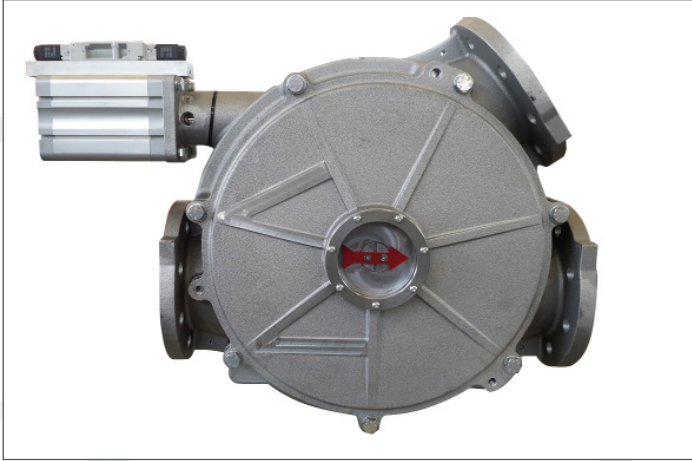


DIVERTER VALVE



Metalworks Divertor valves are the logical outcome of mutual long lasting active cooperation with the customers. The result is an innovative Divertor Valve that suits to various different fields of applications.

Divertor Valves are among the most sensitive and important components for **reliable, heavy duty** and **flexible pressure** and **vacuum pneumatic conveying systems**.

Metalworks Divertor Valves, thanks to its innovative design, grants perfect sealing thus absolute no cross contaminations among different conveyed products and, most important, long lasting trouble free operations and reduced maintenance.

Metalworks Divertor Valves are suitable for powder, granules and flakes pneumatic transports by positive and negative pressure, fully tested at higher pressure, ready to work.

Material in touch with product

Two main standard versions are available:

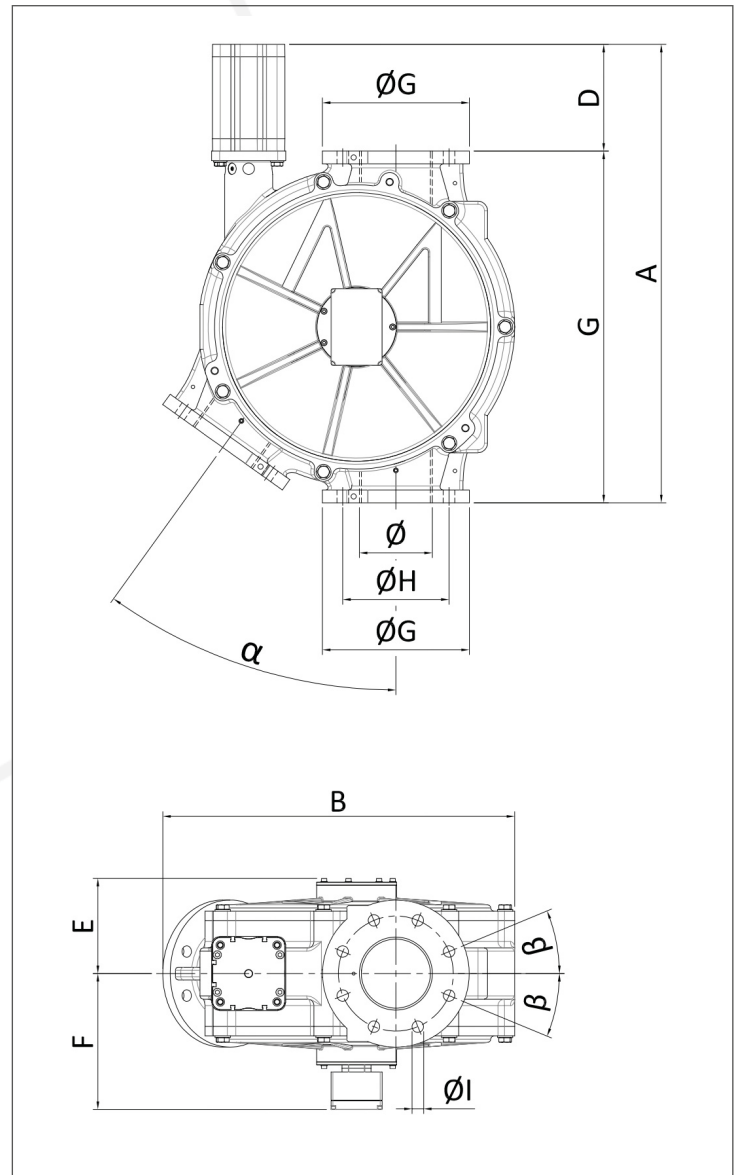
- Hardened Casted Aluminium
- Stainless steel Aisi 304

Drive

All valves are electro-pneumatically operated with Limit Switches



ATEX 22: available on request



VDT	65	80	90	100
A	670	717	717	717
B	551	551	551	551
C	450	550	550	550
D	167	167	167	167
E	129	149	149	149
F	188	213	212,5	212,5
Øg	195	230	230	230
Øh	145	180	180	180
Øi	16	18	18	18
Ø	76,1	88,9	114,3	114,3
α	35°	35,5°	35,8°	35,8°
β	11,25°	10°	10°	10°
kg	50	75	75	75