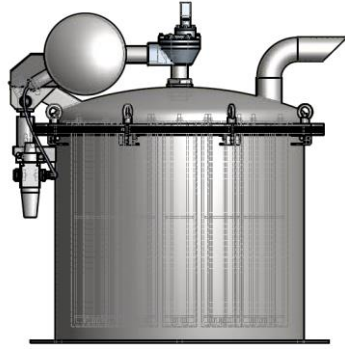
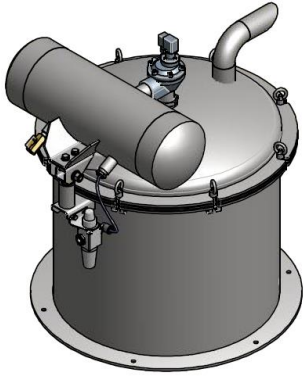
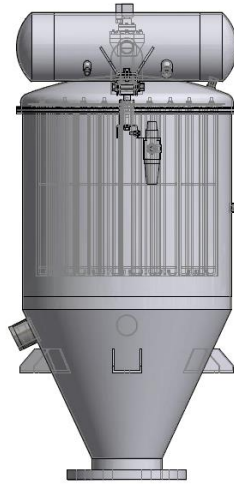
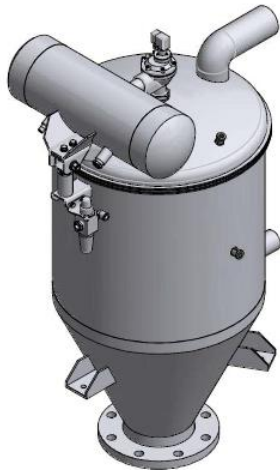
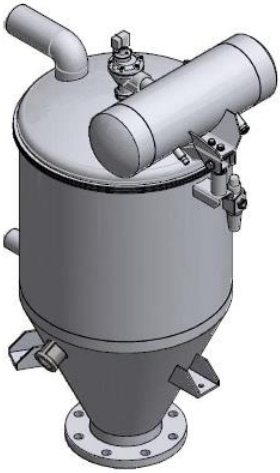


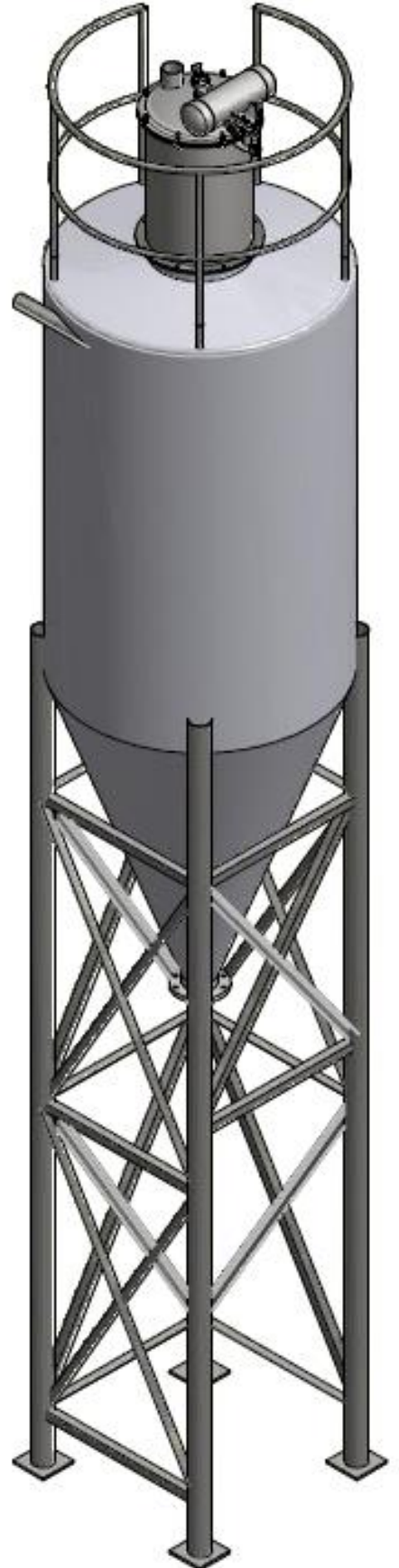
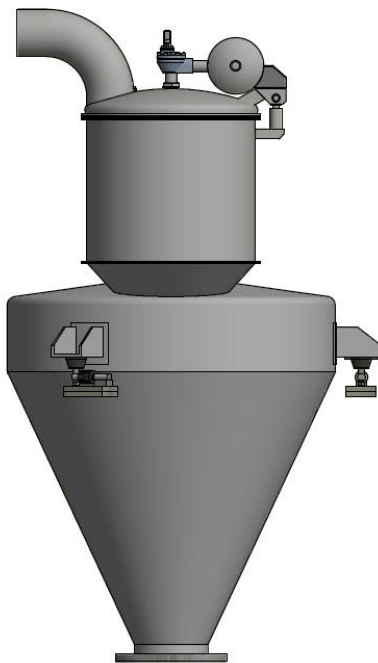
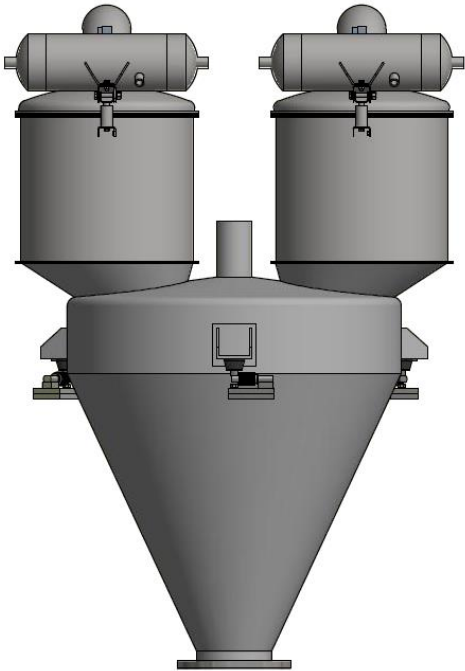
Easy Clean Food Grade Bag Filter & Receiver



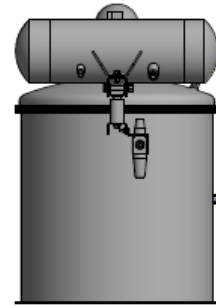
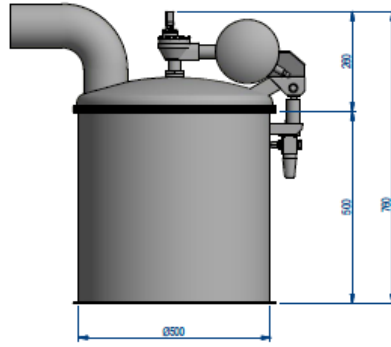
Compact Bag Vent Filter



Compact Bag Receiver



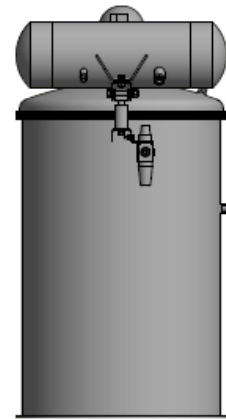
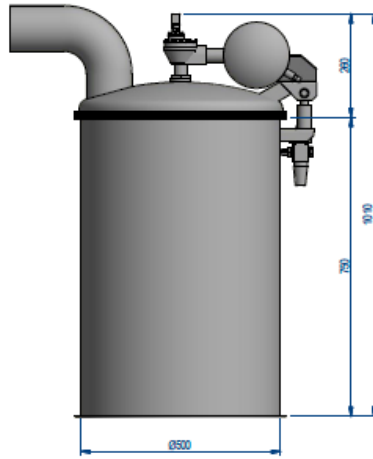
Standard (Food Grade) Cylindrical Housing Bag filter



TRC 450 Compact BF

Filter Bag : Dia 70 mm. x L 450 mm. x 18 Pcs.

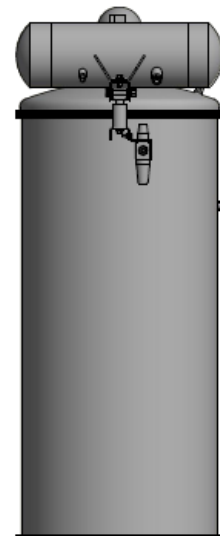
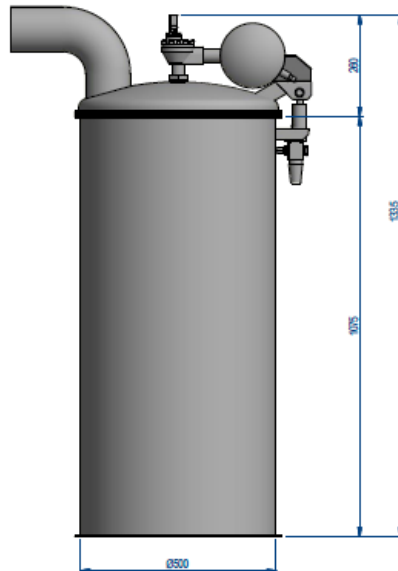
Cloth Area : 1.78 m² / Jet Pulse : Port 1"



TRC 700 Compact BF

Filter Bag : Dia 70 mm. x L 700 mm. x 18 Pcs.

Cloth Area : 2.83 m² / Jet Pulse : Port 1 1/2"



TRC 1000 Compact BF

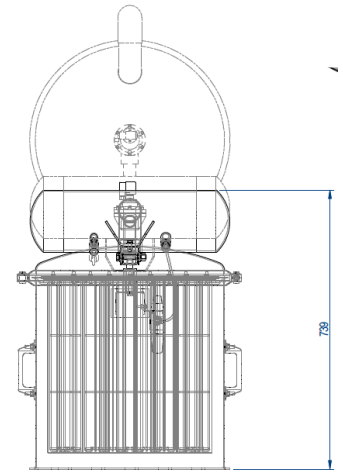
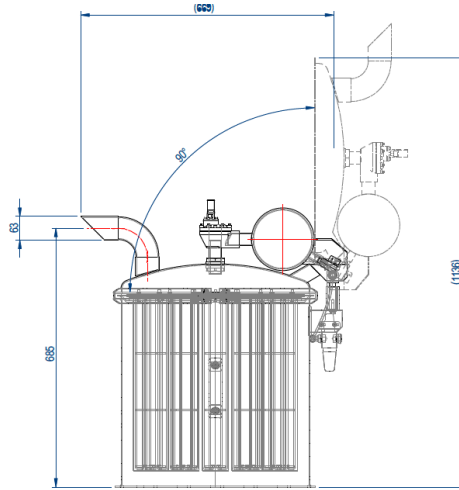
Filter Bag : Dia 70 mm. x L 1000 mm. x 18 Pcs.

Cloth Area : 4.02 m² / Jet Pulse : Port 1" (x 2)

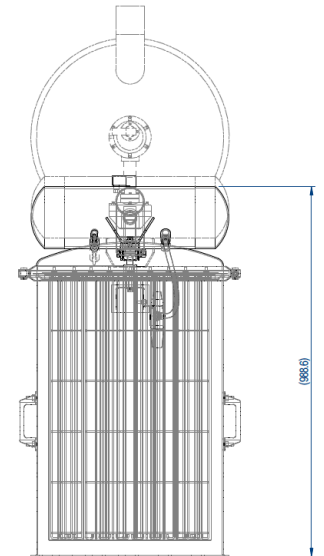
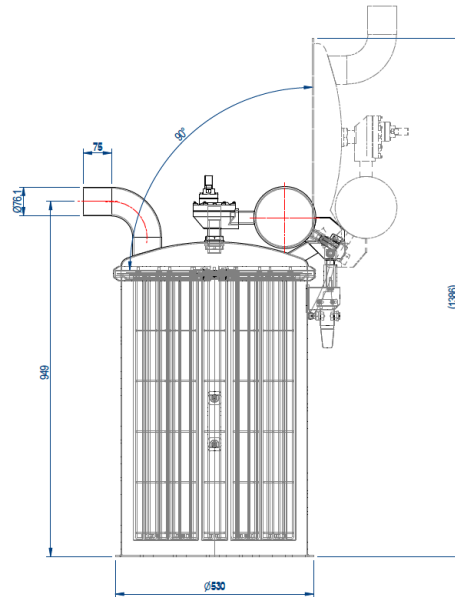
Standard (Food Grade) Cylindrical Housing Bag filter



TRC 450 Compact BF



TRC 700 Compact BF



TRC 1000 Compact BF

