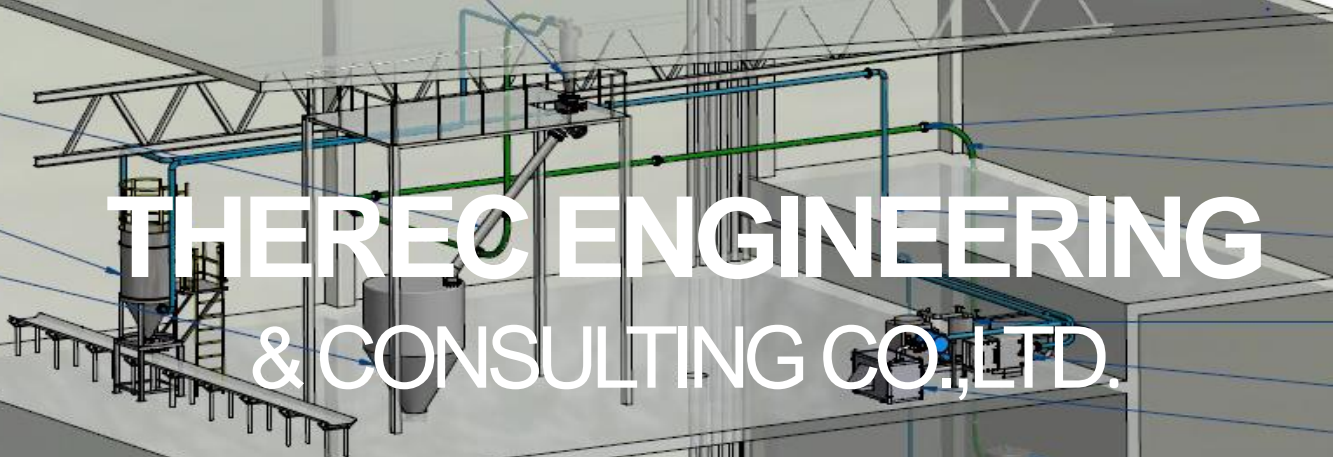


PVC Powder Processing & PVC-CaCO₃ Powder Handling



THEREC ENGINEERING & CONSULTING CO.,LTD.

THEREC PROCESSING MACHINE CO.,LTD

Designer of Material handling System & Process for **PVC & CaCO₃**



Manufacturer & Importer of Plastic Powder Handling, Machines, Equipment & Components



Therec Engineering & Consulting Co, Ltd.

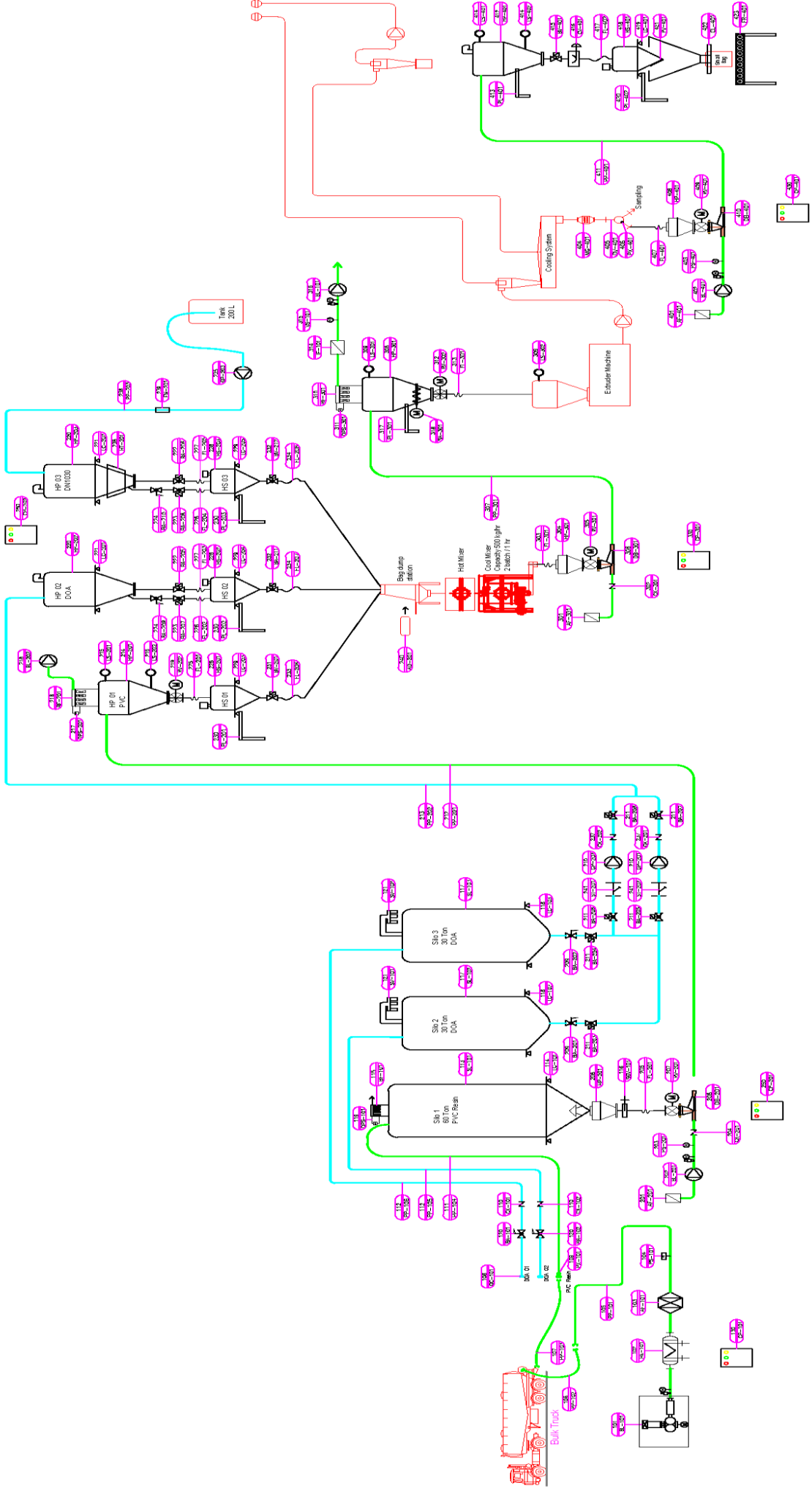
Tel (662) 893 9003-4 (5 lines)

Fax : (662) 893 9005 ,893 9178

88 Soi Karnjanapisek 4/2 Karnjanapisek Rd. Bangbon Bangkok 10150 Thailand

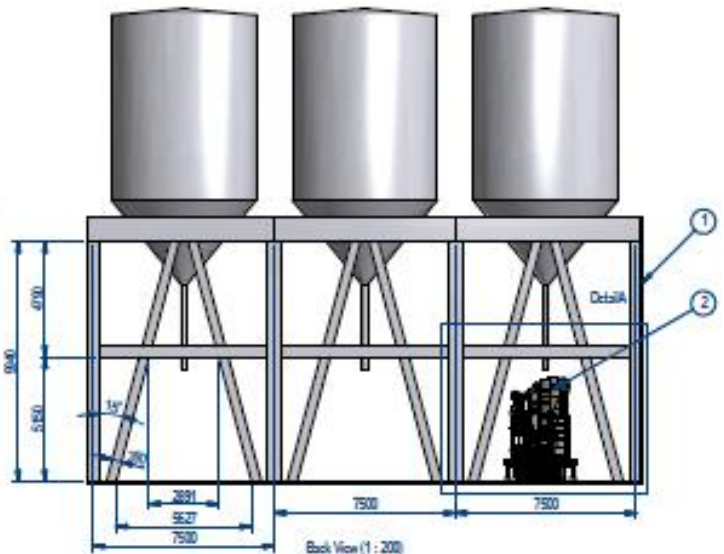
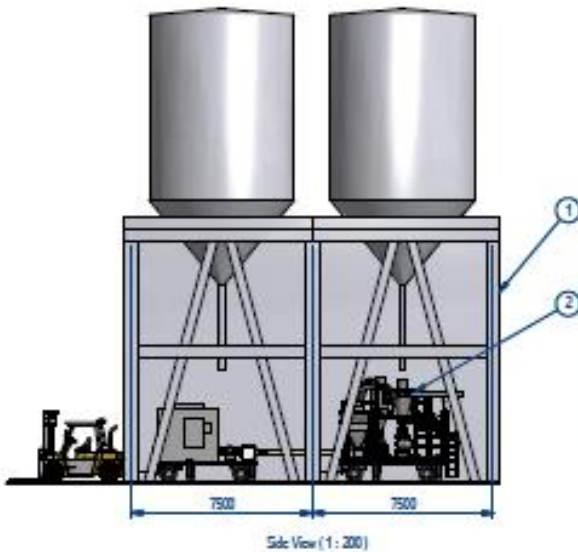
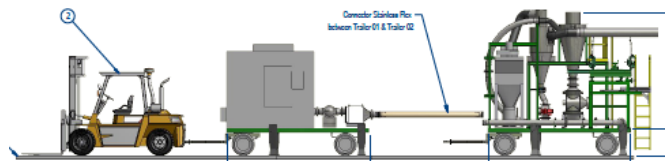
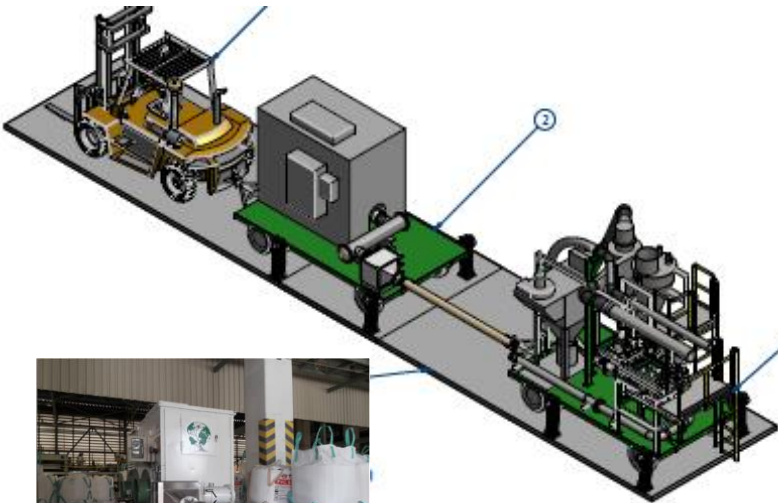
www.thereceng.com

Sugar Processing TRE&C 01 / 2018



PVC- DOA-PN1030 Silo loading ,Process feeding, Weighting & Mixing

Therec Engineering & Consulting Co., Ltd.



Sea Bulk loading system (PVC Powder) SCG Chem (TPC) Warehouse

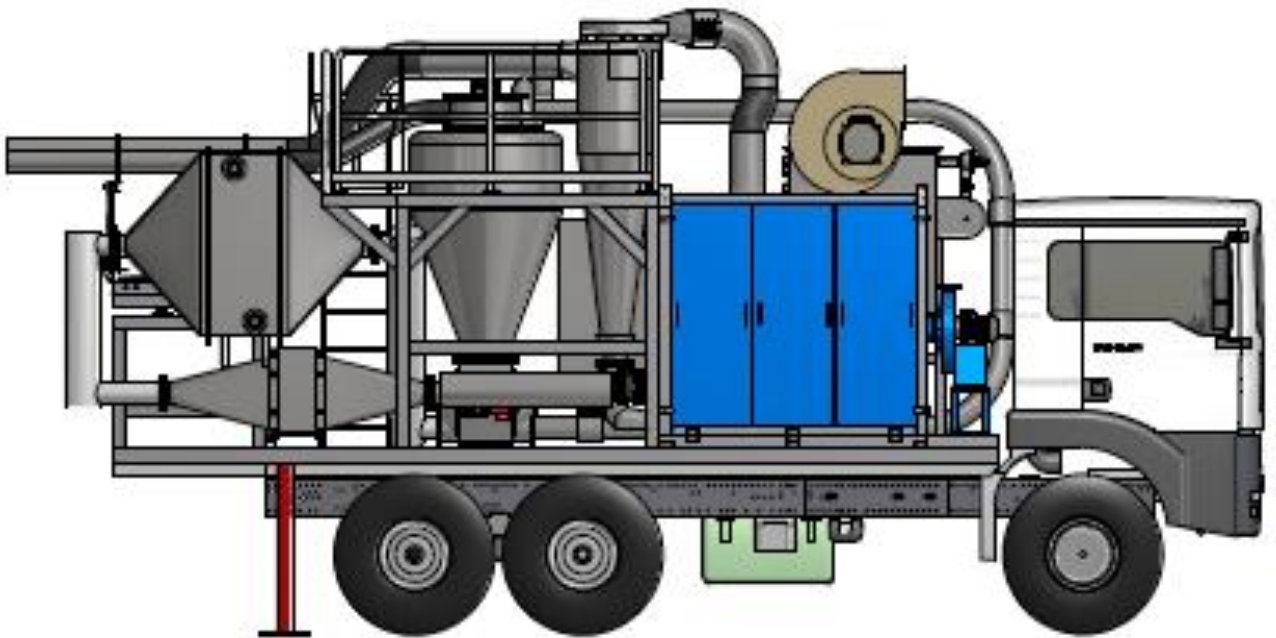
The total system consisting of :

- 1 of 18.0 tons Pneumatic conveying systems
- 1 of Fixed feeding gun for container truck, 4 directions and swing
- 1 of High pressure Roots blower 45kw / 60.0 hp
- 1 of Cyclone for dust controlling system, with 1,300 m³ centrifugal fan
- 1 of Bag filters for dust controlling system, with 1,300 m³ centrifugal fan
- 2 of Heavy duty air lock rotary valves (powder valve), Stainless steel 304
- 1 Carbon steel air cooler , air to water (cooling tower water) type
- 1 Stainless steel housing in line air filter , Mini plete element
- 1 of Electrical control box, with Mitsubishi PLC

บ.เทอร์เรค วิศวกรรมที่ปรึกษา & คอนซัลแตนท์ จำกัด

THEREC

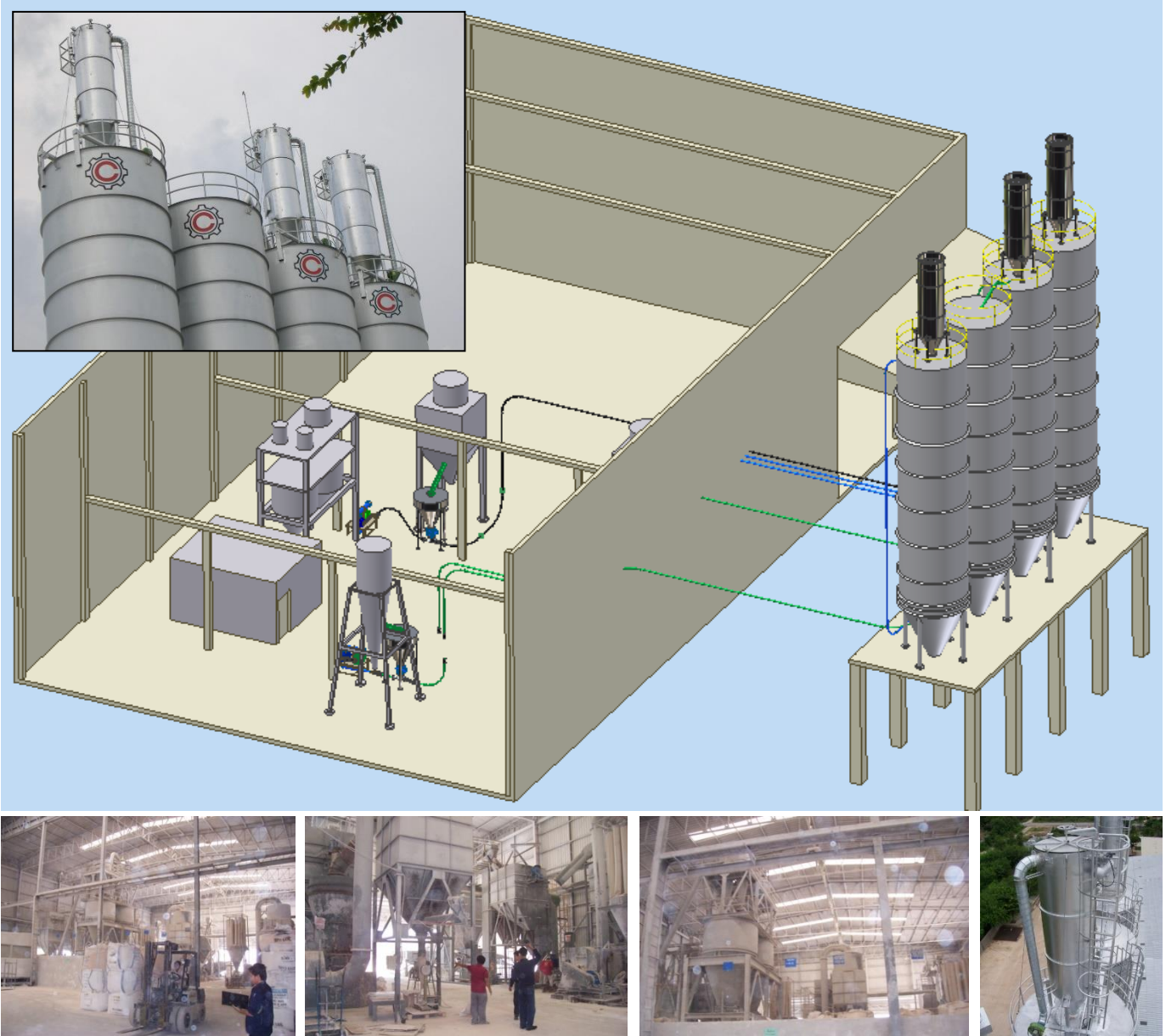
THEREC ENGINEERING & CONSULTANT CO.,LTD.



Sea Bulk loading system (PVC Powder) SCG Chem (TPC) Warehouse

The total system consisting of :

- 1 of 18.0 tons Pneumatic conveying systems
- 1 of Fixed feeding gun for container truck, 4 directions and swing
- 1 of High pressure Roots blower 37kw / 50.0 hp
- 1 of Cyclone for dust controlling system, with 1,300 m³ centrifugal fan
- 1 of Bag filters for dust controlling system, with 1,300 m³ centrifugal fan
- 2 of Heavy duty air lock rotary valves (powder valve), Stainless steel 304
- 1 Stainless steel air cooler , air to water (cooling tower water) type
- 1 Stainless steel housing in line air filter , HEPPA element
- 1 of Electrical control box, with SEMENS LOGO PLC



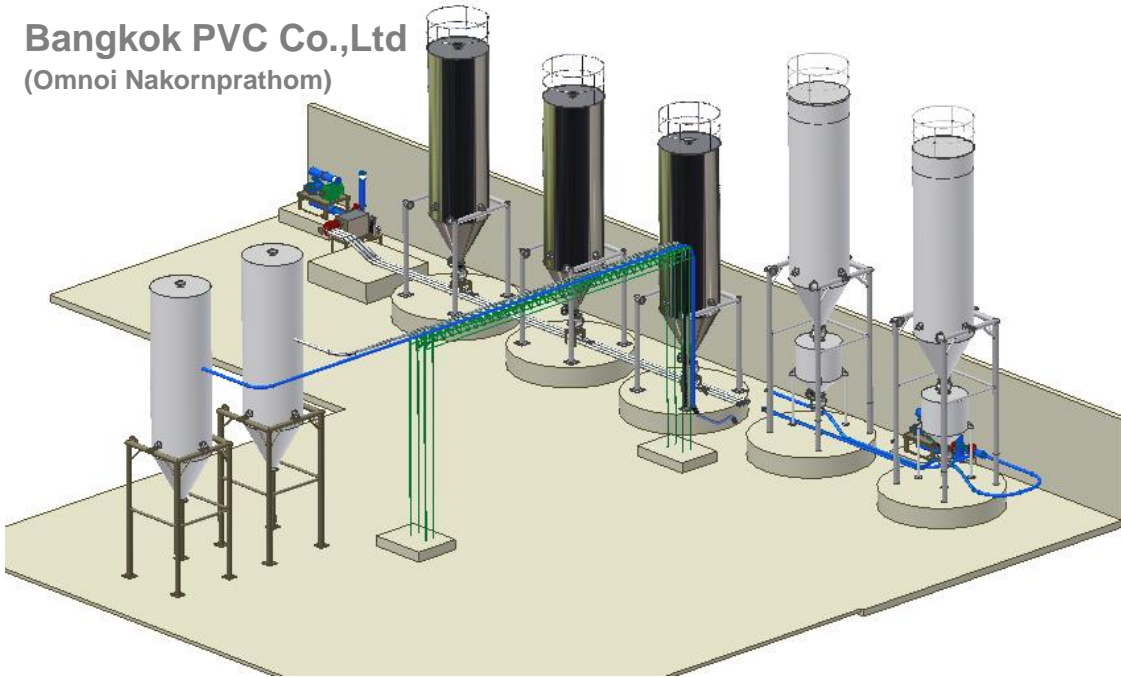
Storage silos loading system (CaCo₃ Powder) Chinchana Co.,Ltd., Lopburi

The total system consisting of :

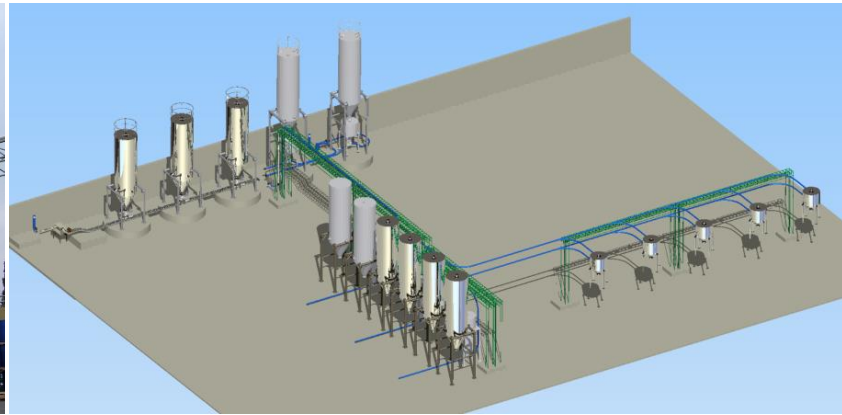
- 1 of 6.0 tons Pneumatic conveying systems
- 1 of High pressure Roots blower 37kw / 50.0 hp
- 3 of Bag filters for dust controlling system, with 1,000 m³ centrifugal fan
- 3 of Heavy duty air lock rotary valves (powder valve), Carbon steel hard chromed
- 1 of Electrical control box, with SEMENS LOGO PLC

Therec Engineering & Consulting Co., Ltd.

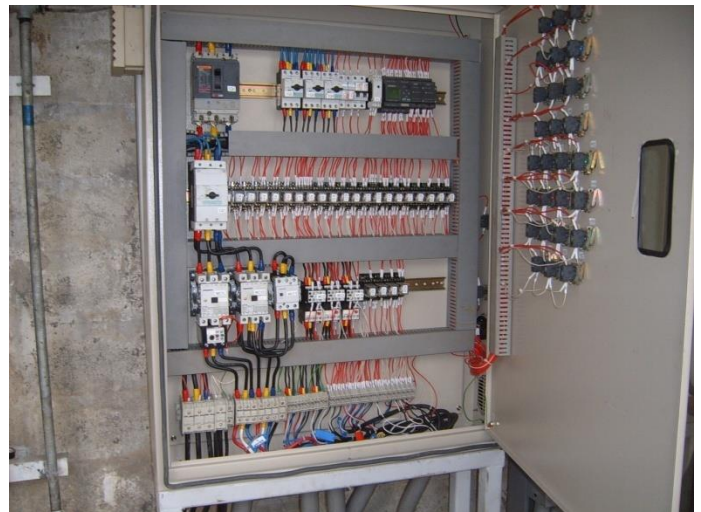
Bangkok PVC Co.,Ltd
(Omnoi Nakornprathom)



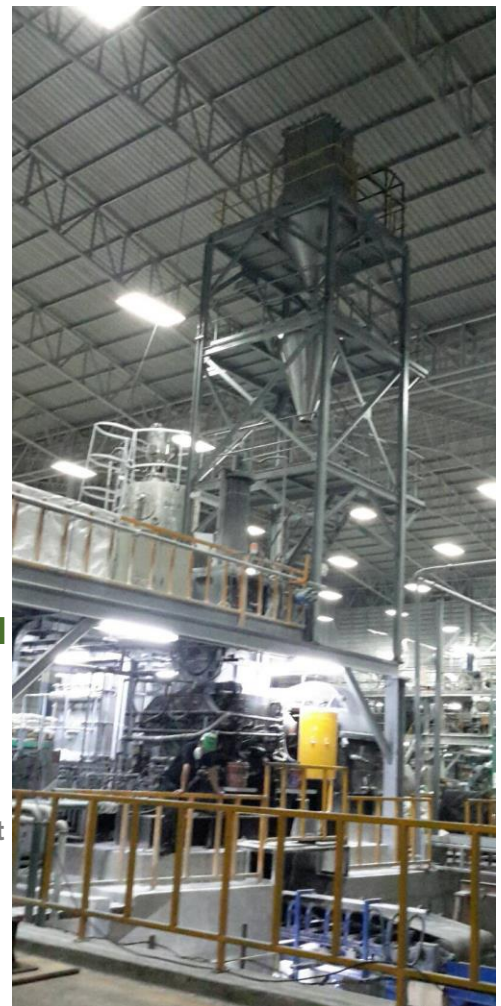
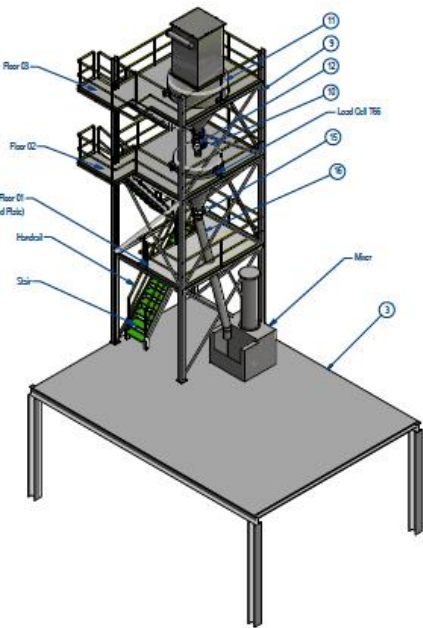
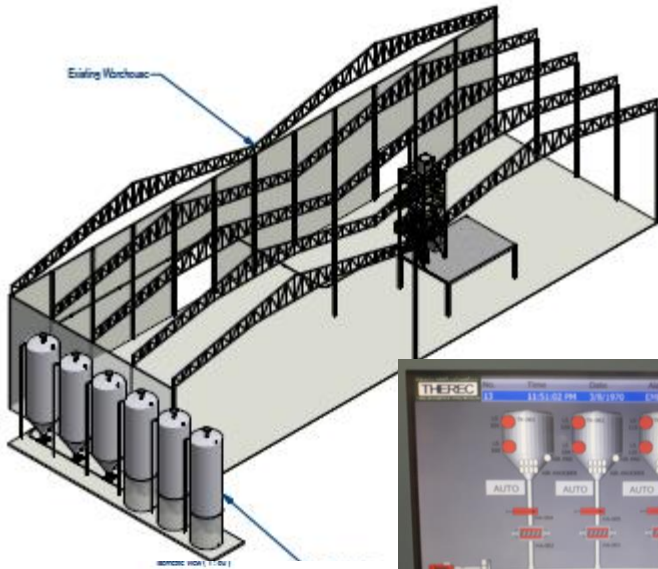
PVC Powder and CaCO₃ Powder Loading system



Raw material Storage Silo (loading from bulk truck)



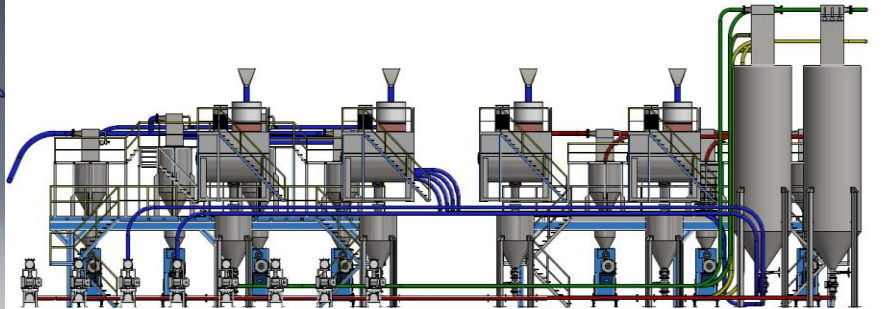
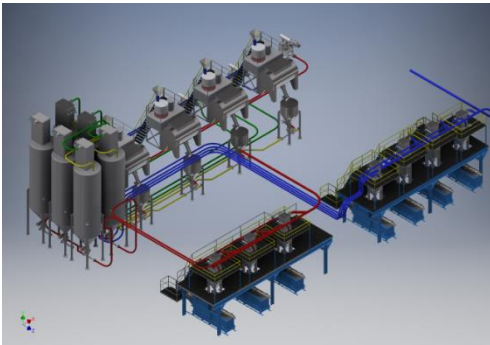
Therec Engineering & Consulting Co., Ltd.



PE Plastic bag (CaCa₃) processing system / TPBI

The total system consisting of :

- 3 of 30.0 m³ Stainless steel AISI304 Silos
- 2 of 2.0 m³ Carbon steel weighting hoppers
- 1 of 200 kg Weighting system with anti vibrating load cell set
- 1 of 1.2 tons Pneumatic conveying systems
- 1 of High pressure Roots blowers 5.5 kw
- 3 of Heavy duty air lock rotary valves , SUS304
- 1 of Volumetric dosing machine/ with dosing rotary valves combination system accuracy at +/- 0.5%
- 1 of Bag filters for dust controlling system SUS 304
- 1 Complete operation plate form / 100% Knock down type
- 1 of Electrical control box, with SEMENS S7 1200 PLC with SIEMENS touch screen ,and SCADA system



PVC pipe (PVC resin, PVC scrap and CaCa_3) / Twin Lion

The total system consisting of :

- 3 of 200.0 m³ Stainless steel AISI304 Silos
- 1 of 20.0 m³ Stainless steel silos
- 4 of 1.0 m³ Carbon steel weighting hoppers
- 1 of 300 kg Weighting system for 3 types of raw material to 4 ribbon mixers with 10 formulas of raw material mixing , automatic memories operation with adjustable page ,allow only the authorized person with pass word add and renew
- 5 of 5.0 tons Pneumatic conveying systems
- 2 of Big bag unloading stations
- 4 of High pressure TurboTron blowers 30 kw
- 1 of Truck blower for bulk truck to silos 50 kw
- 7 of Heavy duty air lock rotary valves , Carbon steel body with hard chromed
- 12 of Scale valves for Weighting system
- 4 of Volumetric dosing machine/ with dosing rotary valves
- 2 of Bag filters for dust controlling system
- 1 of Electrical control box, with SIEMENS S7 1200 PLC with SIEMENS touch screen ,and SCADA system



บ.เทอร์เรค วิศวกรรม & คอนซัลแตนท์ จำกัด

THEREC

THEREC ENGINEERING & CONSULTANT CO.,LTD.



High pressure Roots blower Package with Acoustic Enclosure for PVC Bulk truck to Silo loading line with air cooler unit



PVC Bulk truck ,silo feeding system 18 Tons / hr



PVC & CaCo₃ Bulk Bag , Silo feeding system, 5 Tons / hr

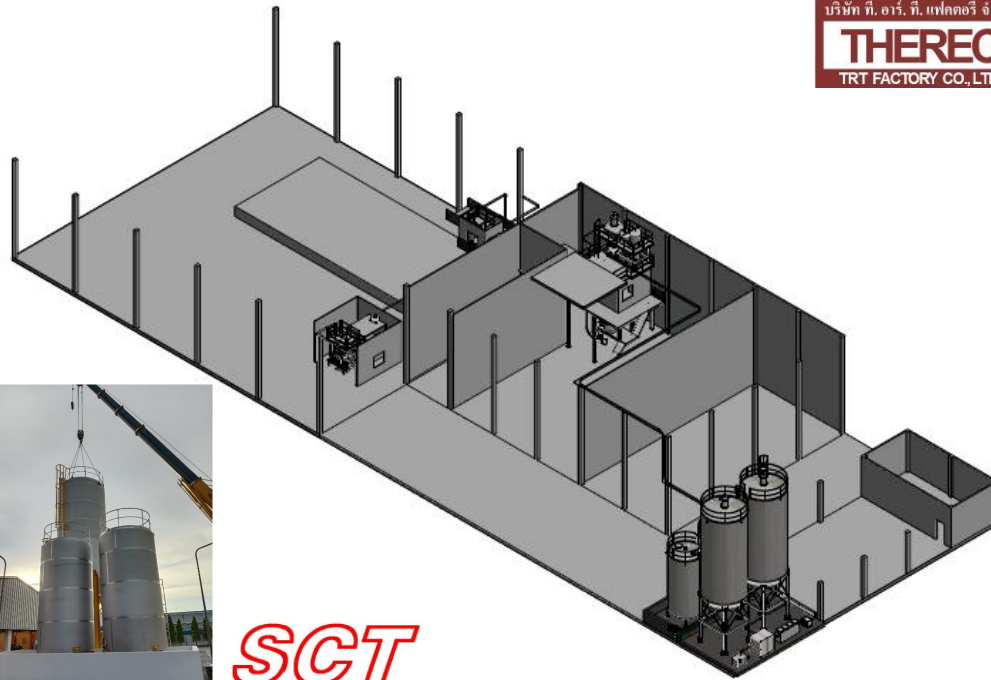


PVC & CaCo₃ Bulk Bag , Unloading station / Fork lift type



PVC & CaCo₃, Silos weight monitoring system

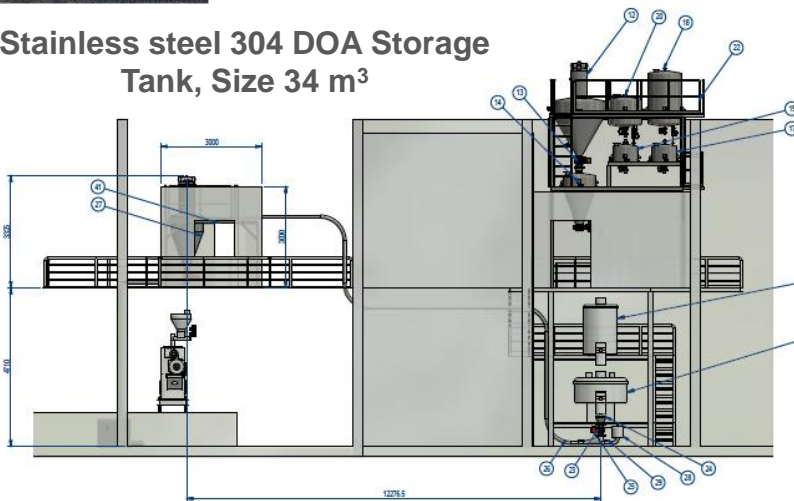
Therec Engineering & Consulting Co., Ltd.



SCT

Stainless steel 304 DOA Storage Tank, Size 34 m³

Stainless steel 304 PVC Resin Silo, Size 100 m³



PVC pipe (PVC resin, DOA & PN1030) / Hymix Co.,Ltd

The total system consisting of :

- 1 of 100.0 m³ Stainless steel AISI304 Silos for PVC resin
- 2 of 30.0 m³ Stainless steel silos for DOA
- 3 of 1.0 m³ Stainless steel weighting hoppers
- 2 of 1.5 tons Pneumatic conveying systems
- 2 of receiving hopper for PVC and dry mix
- 3 of High pressure Roots blowers 11 kw
- 1 of Truck blower for bulk truck to silos 50 kw
- 2 of Heavy duty air lock rotary valves , SUS 304
- 12 of Scale valves for Weighting system
- 1 of Volumetric dosing machine/ with dosing rotary valves
- 2 of Bag filters for dust controlling system
- 1 of Electrical control box, with SEMENS S7 1200 PLC with SIEMENS touch screen ,and SCADA system





PVC Powder Silo loading & Weighting system / deliver from 16 tons bulk truck



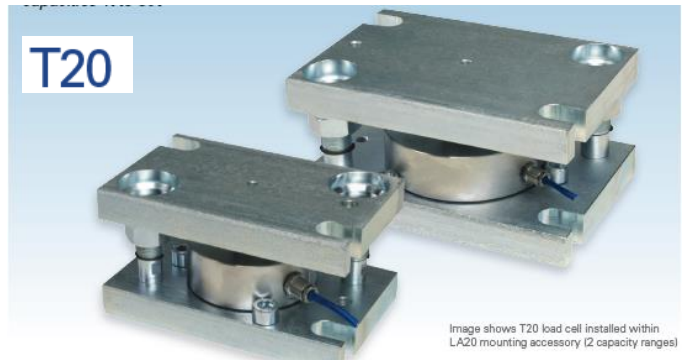
Stainless steel 304 PVC Resin Silo,
Size 100 m³



PVC Silo & DOA Storage tanks /weight
monitoring system



VC3500



T20

Image shows T20 load cell installed within
LA20 mounting accessory (2 capacity ranges)



บริษัท ที. อาร์. ที. แฟคตอรี จำกัด
THEREC
 TRT FACTORY CO., LTD.

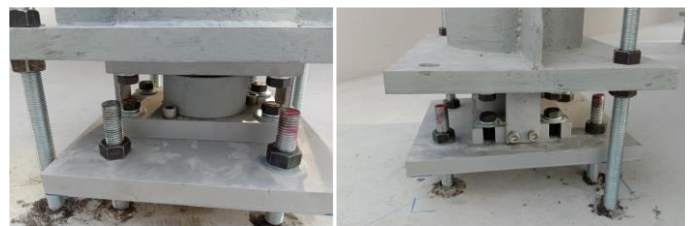
**Stainless steel 304 PVC Resin Silo,
 Size 100 m³**



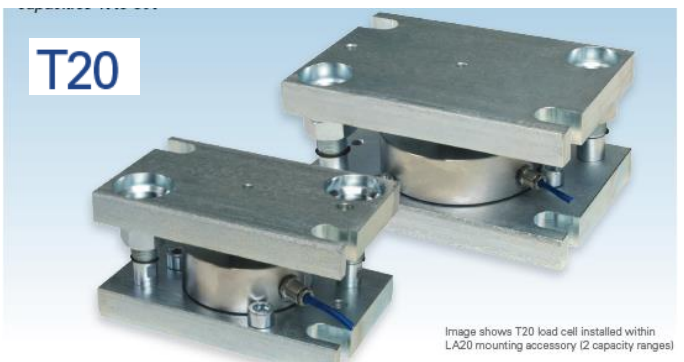
VC3500



**Stainless steel 304 DOA Storage Tank,
 Size 34 m³**

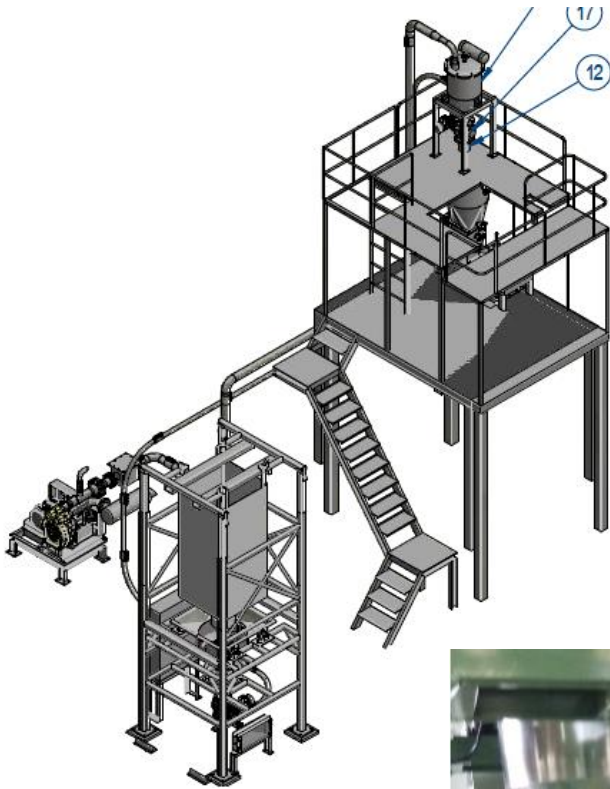


**PVC Silo & DOA Storage tanks /weight
 monitoring system**



T20

Image shows T20 load cell installed within LA20 mounting accessory (2 capacity ranges)



PVC 25 kg bag filling machine loading system (PVC resin) / TPC

The total system consisting of :

- 1 of 2.0 tons Pneumatic conveying systems
- 1 of Big bag unloading stations
- 1 of High pressure ring blowers 22 kw
- 2 of Heavy duty air lock rotary valves , SUS316 DMN MALD 150
- 1 of Bag filters for dust controlling system
- 1 of Electrical control box, with SEMENS LOGO

High pressure Roots blower Package for PVC conveying line



Nawa Plastic Co.,Ltd. / Saraburi
SCG Plastic Group of company



Sahaaree Co.,Ltd. / Chachengsao



Advance pipe Co.,Ltd. / Rayong
CPC Group of company

Air lock Rotary valve for PVC dry mixed



TPC / Marbtapud Rayong



Bangkok PVC Co., Ltd. /
Nakornprathom



TPC / Marbtapud Rayong



Big Bag Unloading Station
Thai Plastic and Chemical (Public)
Co.,Ltd. / TPC



ROOTS Bulk Truck blower 1.1-1.8 Bar



DMN Rotary, Diverter & Scale (weighting) Valve



DMN Scale (weighting) Valve



Bulk Material Handling System Integrator

Silos System Component



DMN
WESTINGHOUSE
Rotary, Diverter & Scale valve

GVF
components

Silo feeding Multi ways diverter valve

Silo pressure & vacuum valve

Cast iron and Stainless steel Slide gate valve



Vibrofluidizer

Fluidification plate PF & FLUO

Level sensor

Air Knocker



Flame Arrester
VIGILEX
Bursting panel

STIF



Jansen & Heuning
bulk handling systems

THEREC
THEREC PROCESSING MACHINE CO., LTD.

MORRIS
COUPLING COMPANY

Silo Loading Bellow

Silo Vent Bag filter

Long Bend & Coupling

Roots
Silo Feeding Blower



Low profile mounting assembly

Install and Removal without lifting tool

Silo mount ,Atex & IECEx Certification

Smart Digital Display

Junction box

Thames Side

Therec Engineering & Consulting Co, Ltd. www.thereceng.com
Tel (662) 893 9003-4 (5 lines) Fax : (662) 893 9005 ,893 9178
88 Soi Karnjanapisek 4/2 Karnjanapisek Rd. Bangbon Bangkok 10150 Thailand
General product Therec 01 / 2021

