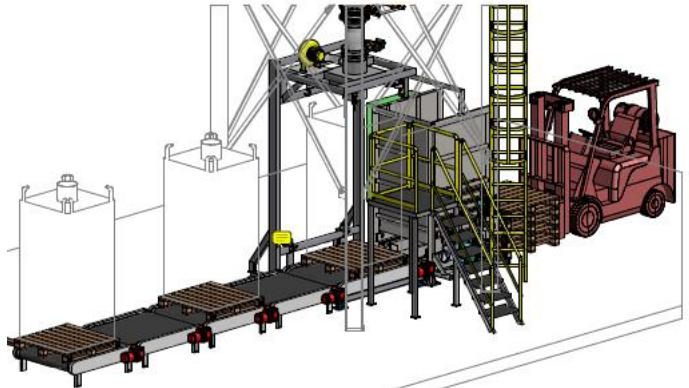
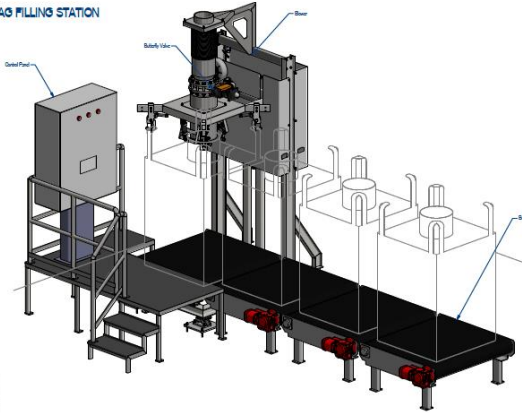
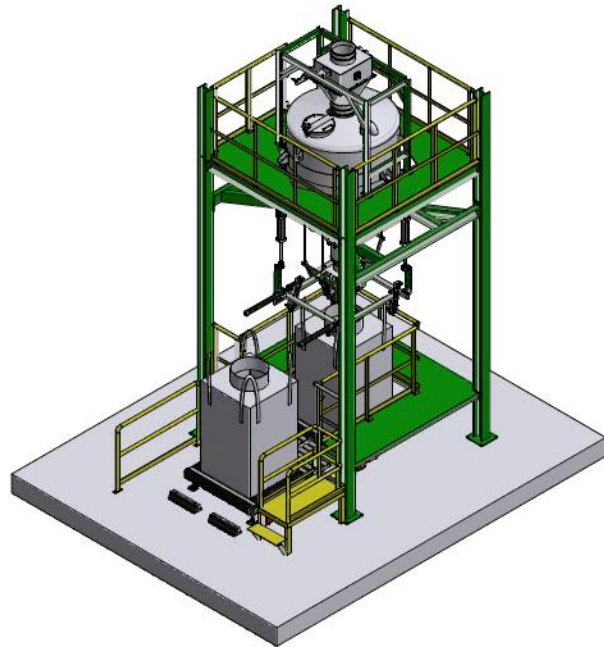
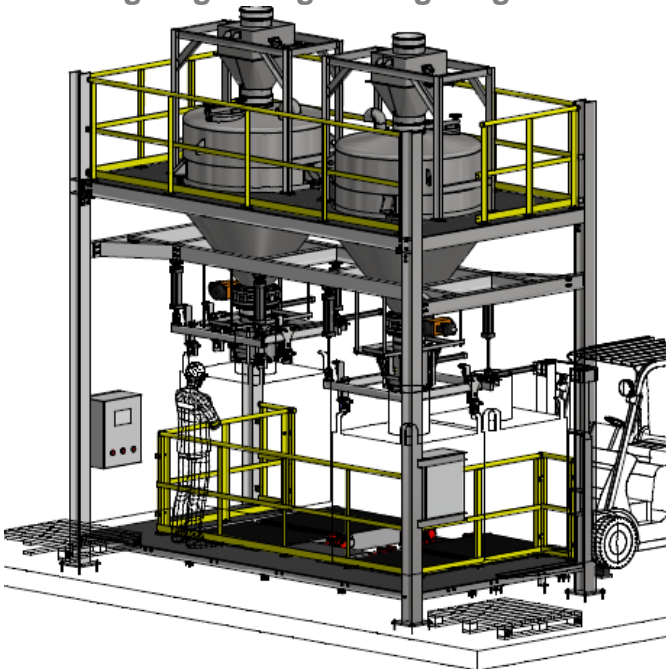


Bulk Material Bag Filling & Weighting Machine

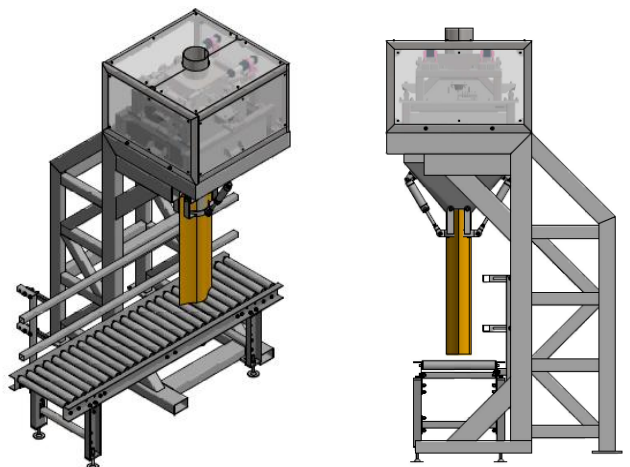
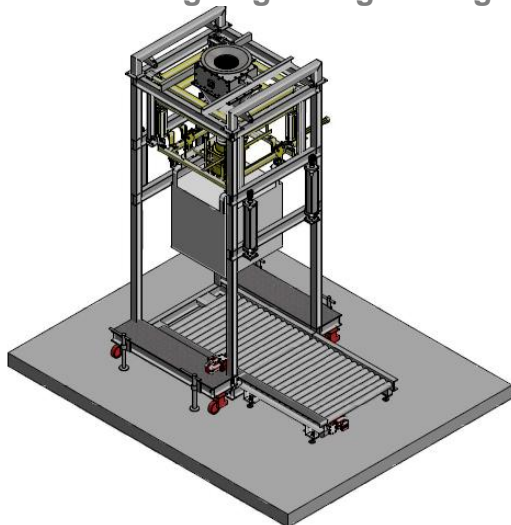
BAG FILLING STATION



Big Bag Filling & Weighting Station / Medium speed / Plate form Scale Type

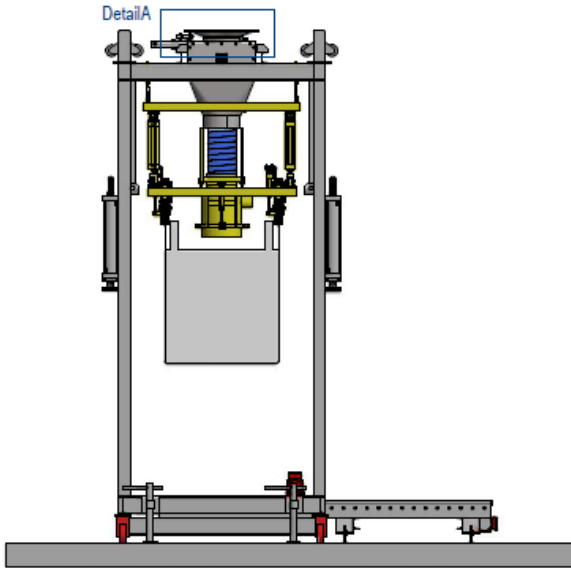


Big Bag Filling & Weighting Station / High Speed / Hopper Scale Type



Big Bag Filling & Weighting Station / High Speed / Bag Scale Type

Small Bag Filling & Weighting Station / Medium Speed / Hopper Scale Type



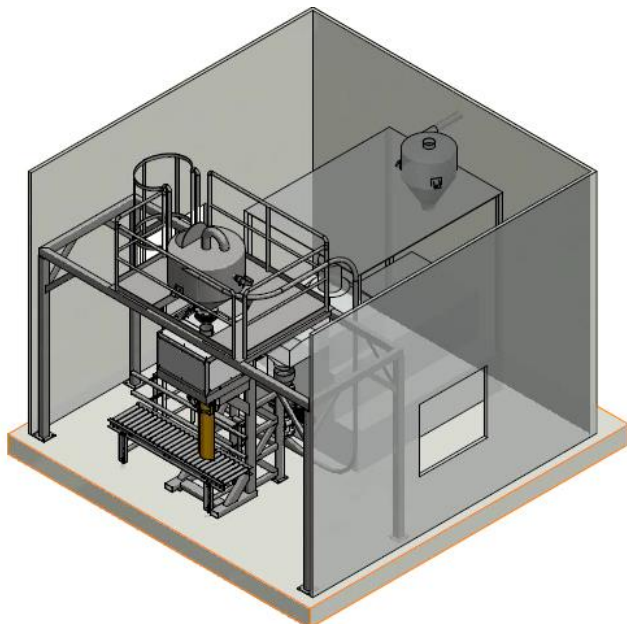
Big Bag Filling BBF-BW-B20

- Medium speed big bag machine 15 – 22 bags / hr
- Standard feature / Big bag automatic lifting by air piston, manual revolve hanging device with automatic hook
- Could adjust to be suited with multi sizes of Big bag
- Installed with big bag blowing fan, roller or belt conveyor
- Bag weighting scale
- Economical model to minimized the investment cost



Big Bag Filling BBF-HW-B40

- High speed big bag machine 20 to 45 bags / hr for single hopper machine and 40 to 90 bags/hr for twin hopper machine
- Weighting hopper and 2 step cut off valve for high precision weighting
- Standard feature / Big bag automatic lifting by air piston , Automatic sliding hanging device with automatic hook for operation safety
- Installed with big bag blowing fan, roller or belt conveyor
- Weighting hopper scale and double check weight station

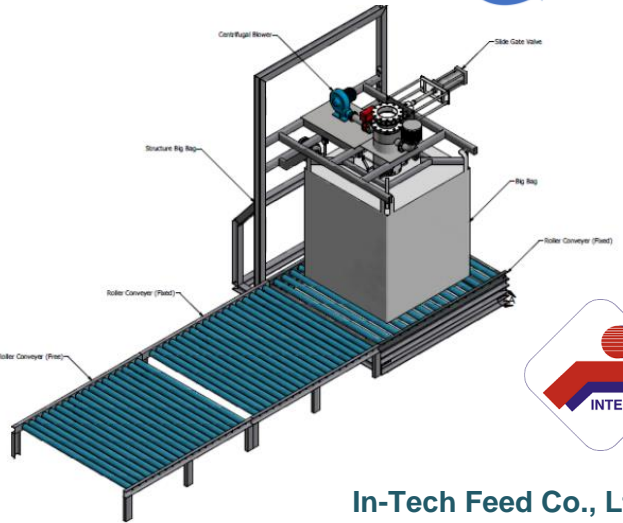
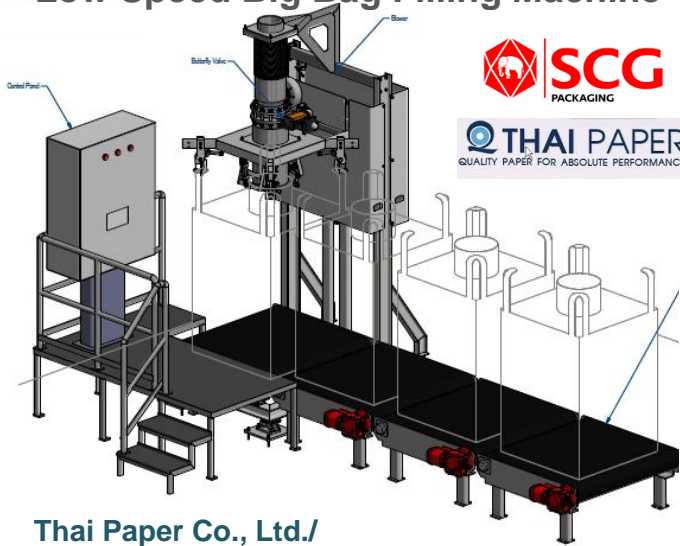


Small Bag Filling SBF-HW-B100

- High speed small bag machine 60 to 120 bags / hr
- Weighting hopper and 2 step cut off valve for high precision weighting
- Standard feature / Automatic Spout Locking by air piston ,
- Installed with roller or belt conveyor ,
- Weighting hopper scale

Big bag Filling & Weighting Systems

Low Speed Big Bag Filling Machine



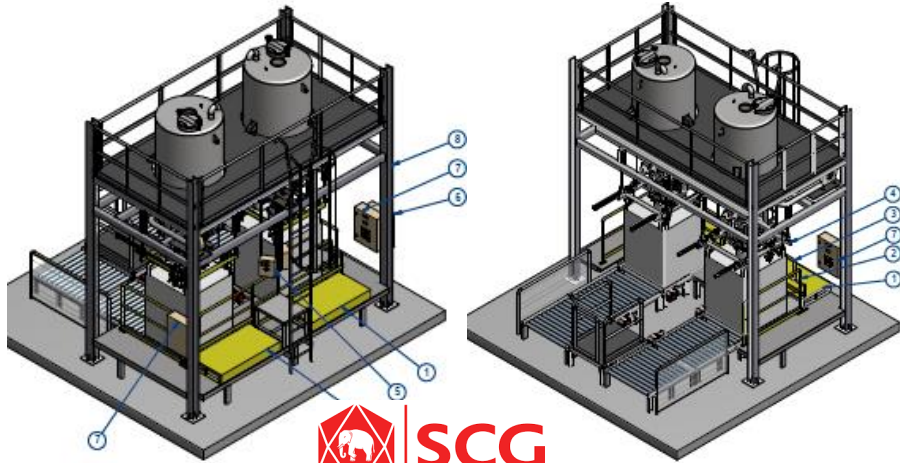
Thai Paper Co., Ltd./

SCG Paper Group Recycle Paper Pulp Big bag Filling station Low speed machine, 16 bags/ hr, 360 kg/bag With Automatic weighting & feeding system

In-Tech Feed Co., Ltd./

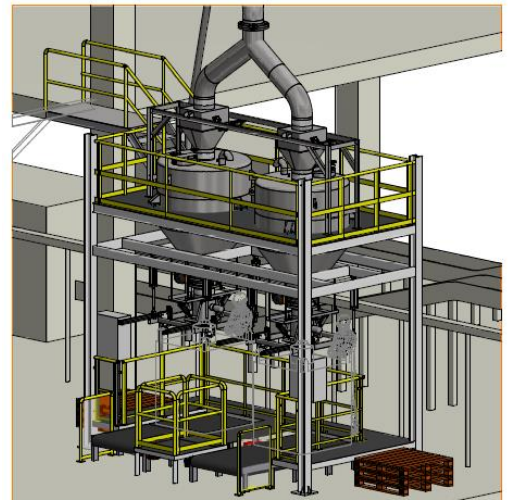
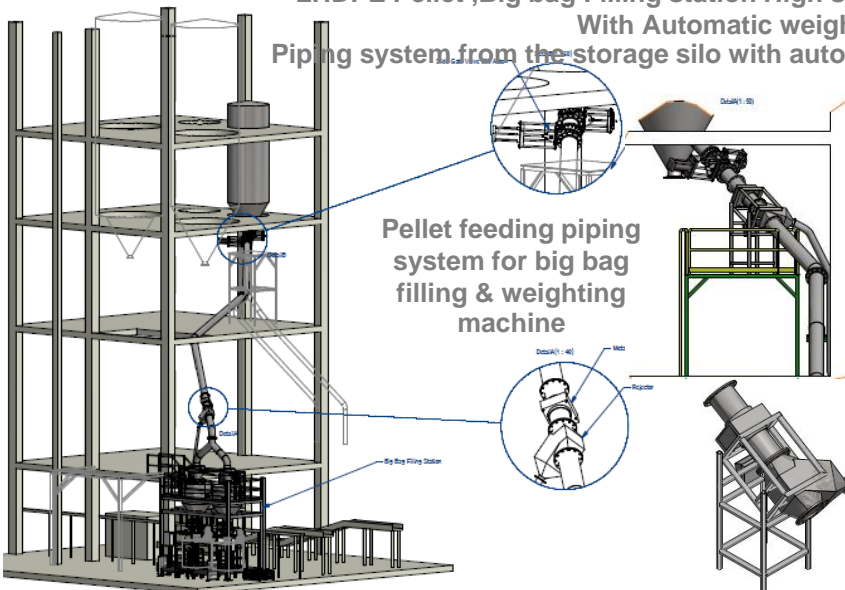
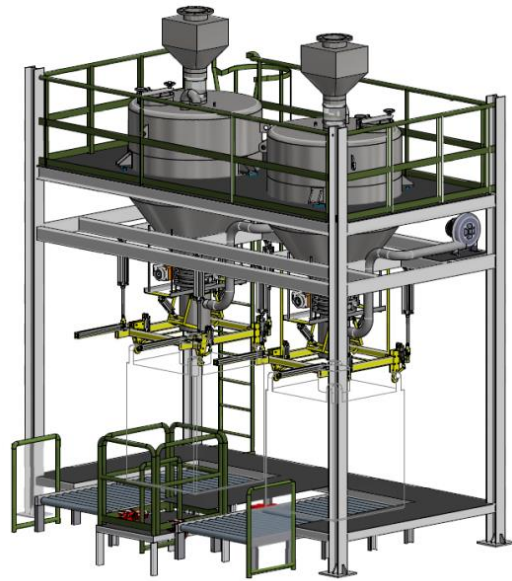
Feed mill raw material ,Big bag Filling station Low speed machine, 10 bags/ hr, 1200 kg/bag With Automatic weighting & feeding system

High Speed Big Bag Filling Machine



Thai Polyethylene(Public) Co., Ltd./SCG Chemical group

LHDPE Pellet ,Big bag Filling station High speed machine,60 to 90 bags/ hr, 735 kg/bag With Automatic weighting system and check weight load cell set Piping system from the storage silo with automatic shut off valve and metal detector set



**In-Tech Feed Co., Ltd./
Feed Mill Raw material**

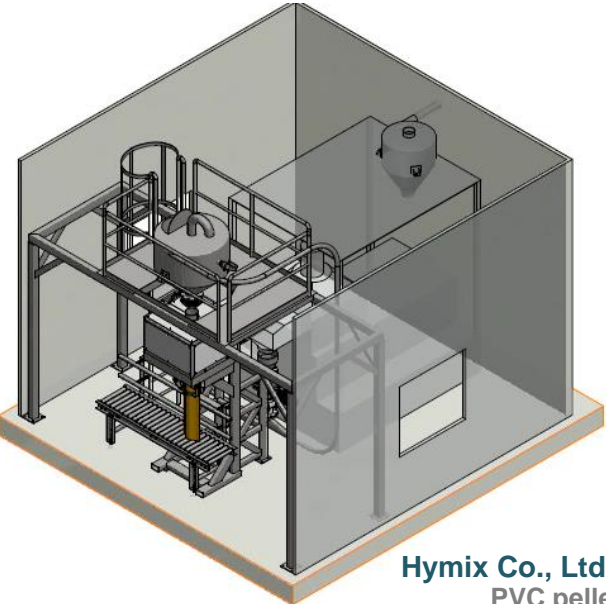


Thai Paper Co., Ltd./ Recycle Paper Pulp



Thai Polyethylene(Public) Co., Ltd./ LDPE Pellet





Hymix Co., Ltd./
PVC pellet



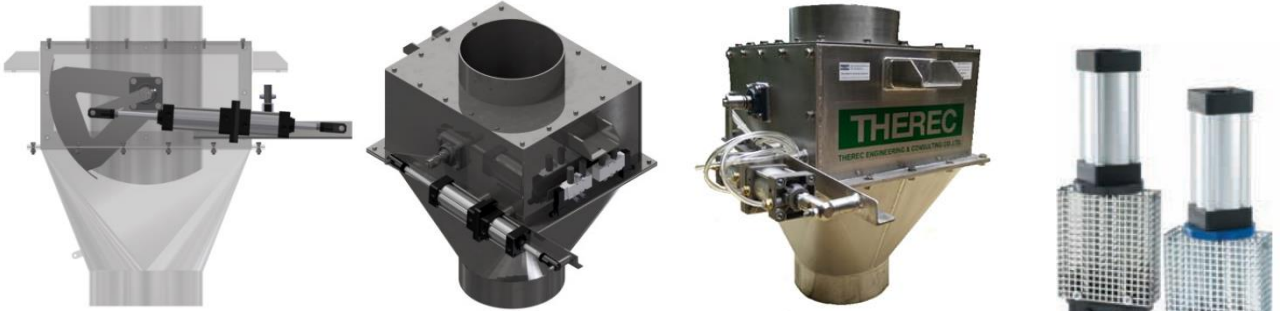
PTT Polymer Logistic Co., Ltd./
HDPE Powder



PTT Polymer Logistic Co., Ltd./
LDPE Pellet

Bulk Material Feeding and Weighting Component

Bulk Material Feeding & Weighting Component



Automatic Cut Off Valve for High Speed Precision Weighting System



Automatic Dosing Valve for Lower Speed Precision Weighting System

Vibro-fluidizer

Fluidification plate P

Slide gate valve



Hanging Type Loadcell assembly For Bag Scale Bulk Bag Filling Machine

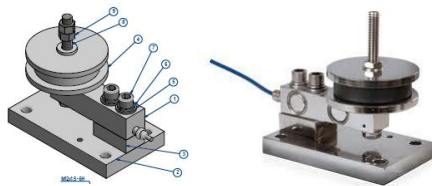
All the Feeding assistant component to warrantee the smooth filling and constant bulk density of the powder material



Anti- Vibration Bending Beam Loadcell assembly For Small Hopper Scale Bag Filling Machine



Well Polished , Steep Angle Weighting hopper , with all the bulk material gravity flow assistant component



Anti- Vibration Shear Beam Loadcell assembly For Big Hopper Scale Bulk Bag Filling Machine



Low profile mounting Loadcell Assembly

Install and Removal without lifting tool

Silo mount ,Atex & IECEx Certification

Smart Digital Display

Junction box



Therec Engineering & Consulting Co, Ltd. www.thereceng.com

Tel (662) 893 9003-4 (5 lines)

Fax : (662) 893 9005 ,893 9178

88 Soi Karnjanapisek 4/2 Karnjanapisek Rd. Bangbon Bangkok 10150 Thailand

General product Therec 01 / 2016

